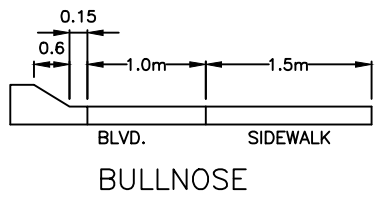
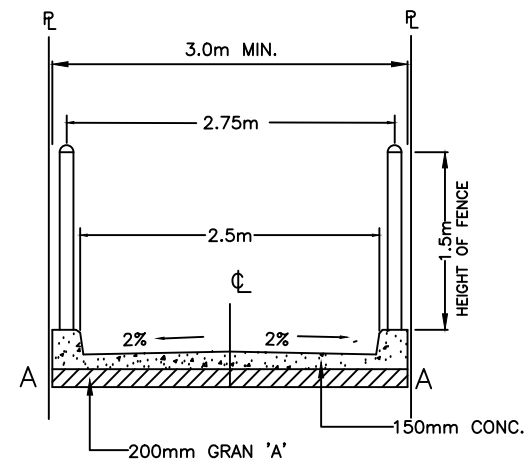


NOTE: ALL DIMENSIONS ARE IN METRES UNLESS OTHERWISE NOTED.

NOTE: GRADE OF WALKWAY TO BE 1.0 % MINIMUM TO 5.0% MAXIMUM.

NOTES:

1. ALL CONCRETE TO BE MIN. 30 MPA WITH 7% ENTRAINED AIR $\pm 1.5\%$.
2. EXPANSION JOINTS OR DEEP CUTS TO BE PROVIDED EVERY 6m AND ALONG CENTRELINE. WALK TO BE SCORED EVERY 3m.
3. FENCE POST FOOTINGS TO BE CORE DRILLED INTO FORMED CURB, UNLESS OTHERWISE DIRECTED BY THE TOWN.
4. 2m PROJECTION AND 1m CURB DEPRESSION MAY VARY WHERE WALKWAY ADJACENT TO DRIVEWAY.
5. WALKWAY FENCE TO END AT PROPERTY LINE.
6. BOLLARD OR WALKWAY GATE MAY BE REQUIRED AS DIRECTED BY TOWN STAFF.



TOWN OF CALEDON				APR'D: C.C.	DATE: JAN. 00
CONCRETE PEDESTRIAN WALKWAY	3	CHANGE STANDARD NO. 225 NOW 912, TEXT EDIT	APR 19	DRAWN: B.J.M.	SCALE: N.T.S.
	2	CHANGE STANDARD NO. 608 NOW 225	JUNE 08	STANDARD No. 911	
	1	WALKWAY GRADE, SIDEWALK WIDTH CORRECTION, NOTE EDIT, STANDARD No. 915 NOW 608	JUNE 08		
NO.	REVISION	APR'D	DATE		