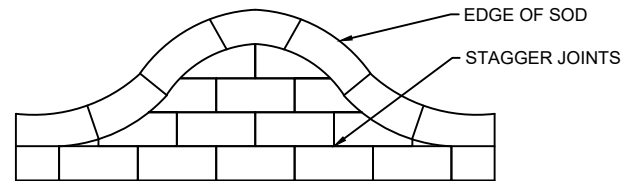
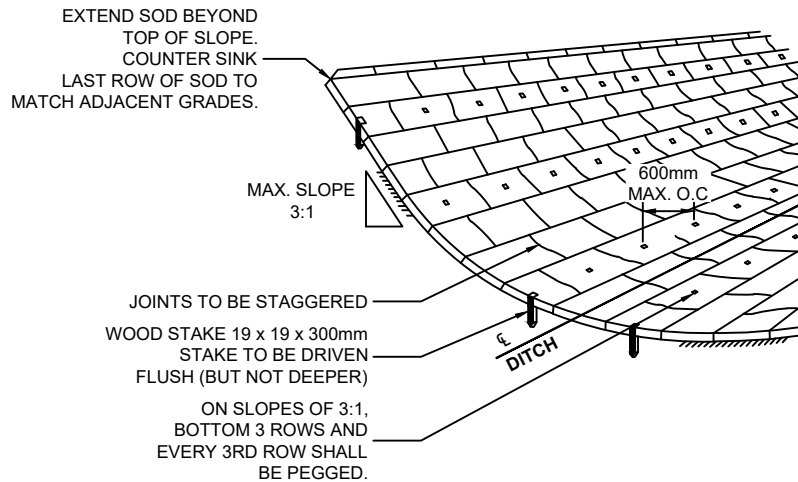


SPECIFICATIONS

Sod

Minimum soil depth of 300mm of clean topsoil.

Kentucky Bluegrass, Certified No. 1 grade turf grass nursery sod, as per the Ontario Sod Growers Association of Ontario.



NOTES:

1. SOD ALL AREAS OF INTENSIVE USE, GRASS SWALES, AND PATCHWORK IN ESTABLISHED TURF.
2. EXTEND SOD 1m OUT FROM EDGE OF TRAILS.
3. EXTEND SOD 5m OUT FROM CENTER LINE IN GRASS SWALES.

TOWN OF CALEDON				APR'D: B.B.	DATE: AUGUST 17
SOD INSTALLATION DETAIL				DRAWN: B.M.	SCALE: N.T.S.
				STANDARD No. 709	
NO.	REVISION	APR'D	DATE		