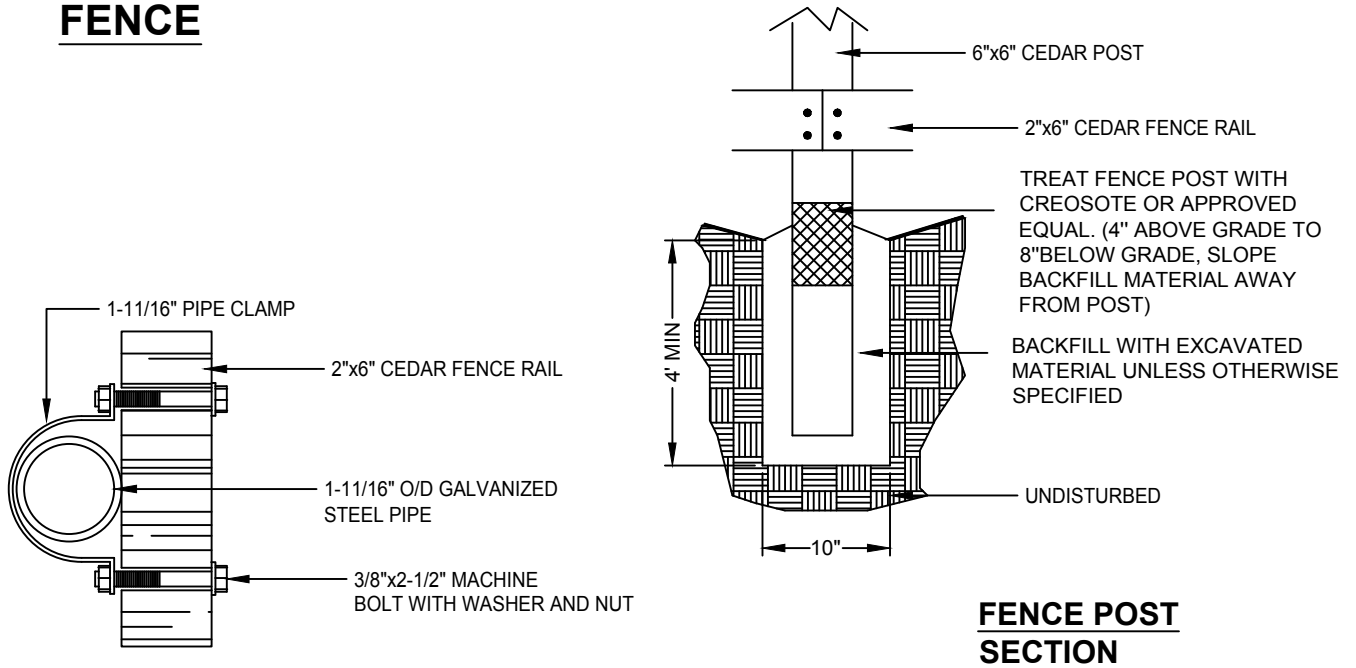


FENCE



FRAME/GATE SECTION

FENCE POST SECTION

NO.	REVISION	APR'D	DATE
2	STANDARD No. 604 NOW 620		JAN 18
1	STANDARD No. 912 NOW 604		JUNE 08

TOWN OF CALEDON

APR'D: C.C. DATE: DEC. 1999

TRAILWAY ENTRY GATE
FRAME / GATE SECTION

DRAWN: BJM SCALE: N.T.S.

STANDARD No. 620