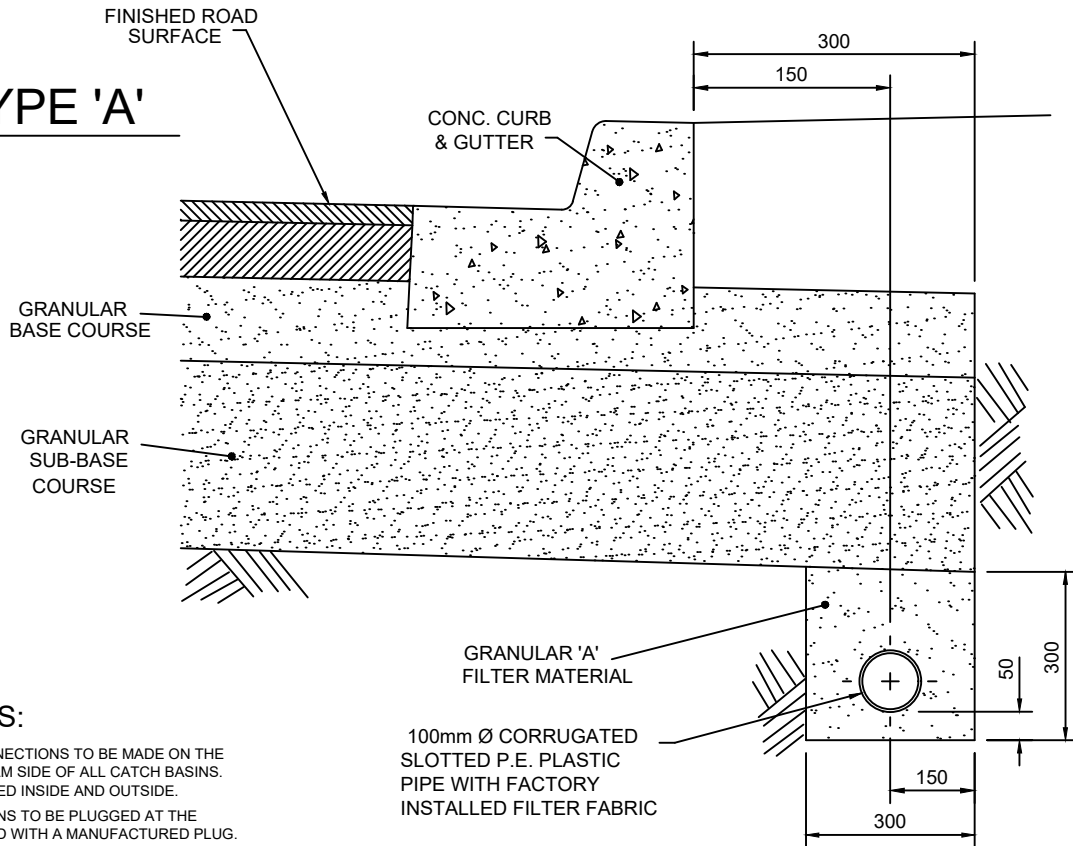


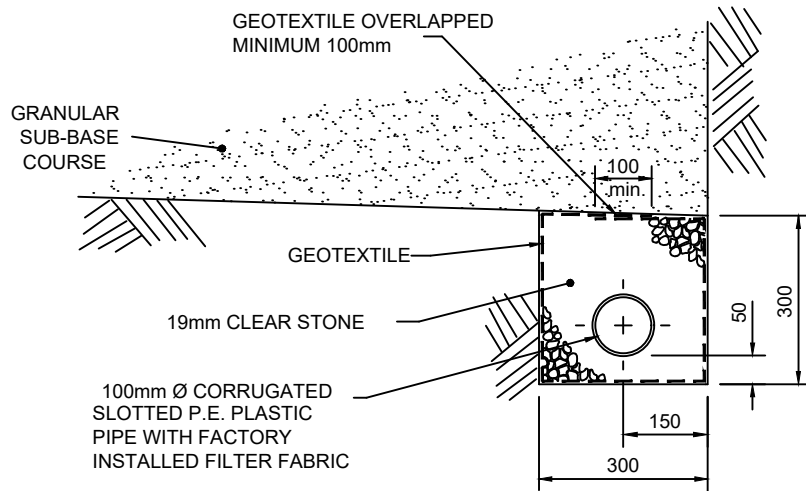
# TYPE 'A'



### NOTES:

1. ALL CONNECTIONS TO BE MADE ON THE UPSTREAM SIDE OF ALL CATCH BASINS. MORTARED INSIDE AND OUTSIDE.
2. SUBDRAINS TO BE PLUGGED AT THE HIGH END WITH A MANUFACTURED PLUG.
3. ALL DIMENSIONS ARE IN MILLIMETRES UNLESS SHOWN OTHERWISE.
4. OPTION 'B' : THE SUBDRAIN TRENCH SHALL BE LINED WITH CLASS II, NON-WOVEN GEOTEXTILE, WITH AN F.O.S. OF 75-150  $\mu\text{m}$  AND A MINIMUM THICKNESS OF 1mm.

# TYPE 'B'



NO.	REVISION	APR'D	DATE
2	STANDARD No. 219 NOW 218		MAY 19
1	STANDARD No. 240 NOW 219		JUNE 08

TOWN OF CALEDON

## TYPICAL 100mm SUBDRAIN DETAIL

APRD: C.C.      DATE: 29/11/99

DRAWN: BJM      SCALE: N.T.S.

STANDARD No. 218