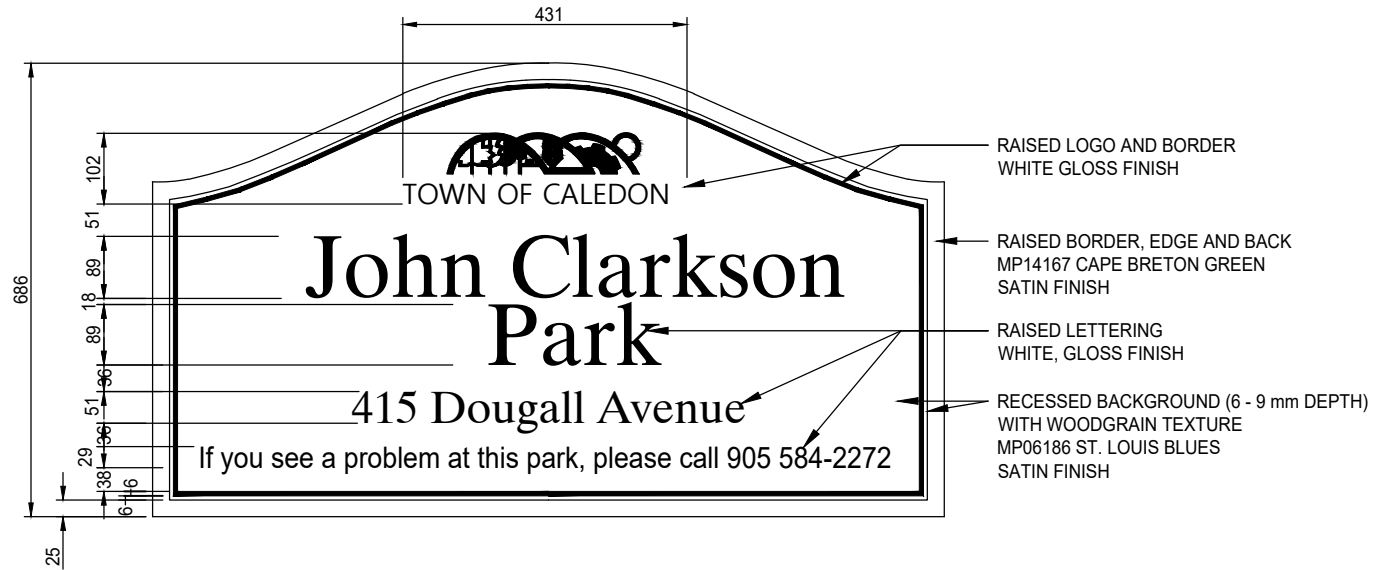
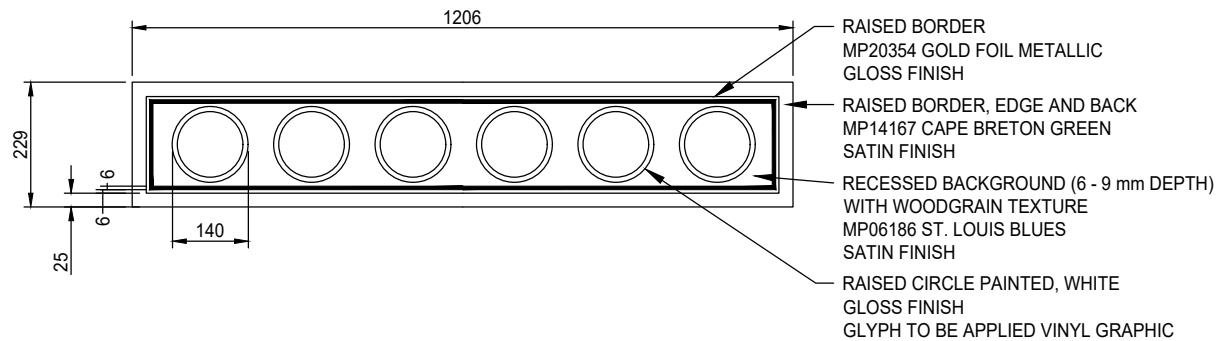


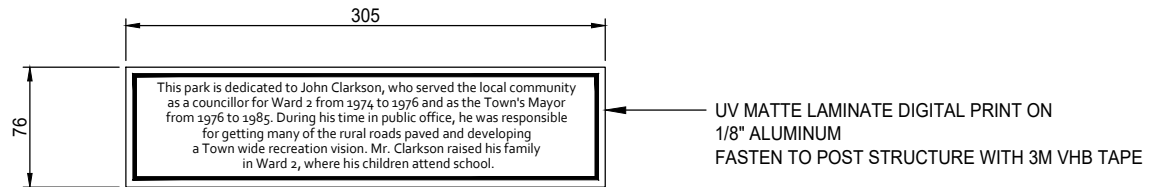
SIGN PANEL
DETAIL



SYMBOL SET
DETAIL



INTERPRETIVE PANEL
DETAIL



TOWN OF CALEDON

PARK SIGN
DETAIL P2 - 2

APR'D: B.B. DATE: AUGUST 17

DRAWN: B.M. SCALE: N.T.S.

STANDARD No. 1107

NO.	REVISION	APR'D	DATE