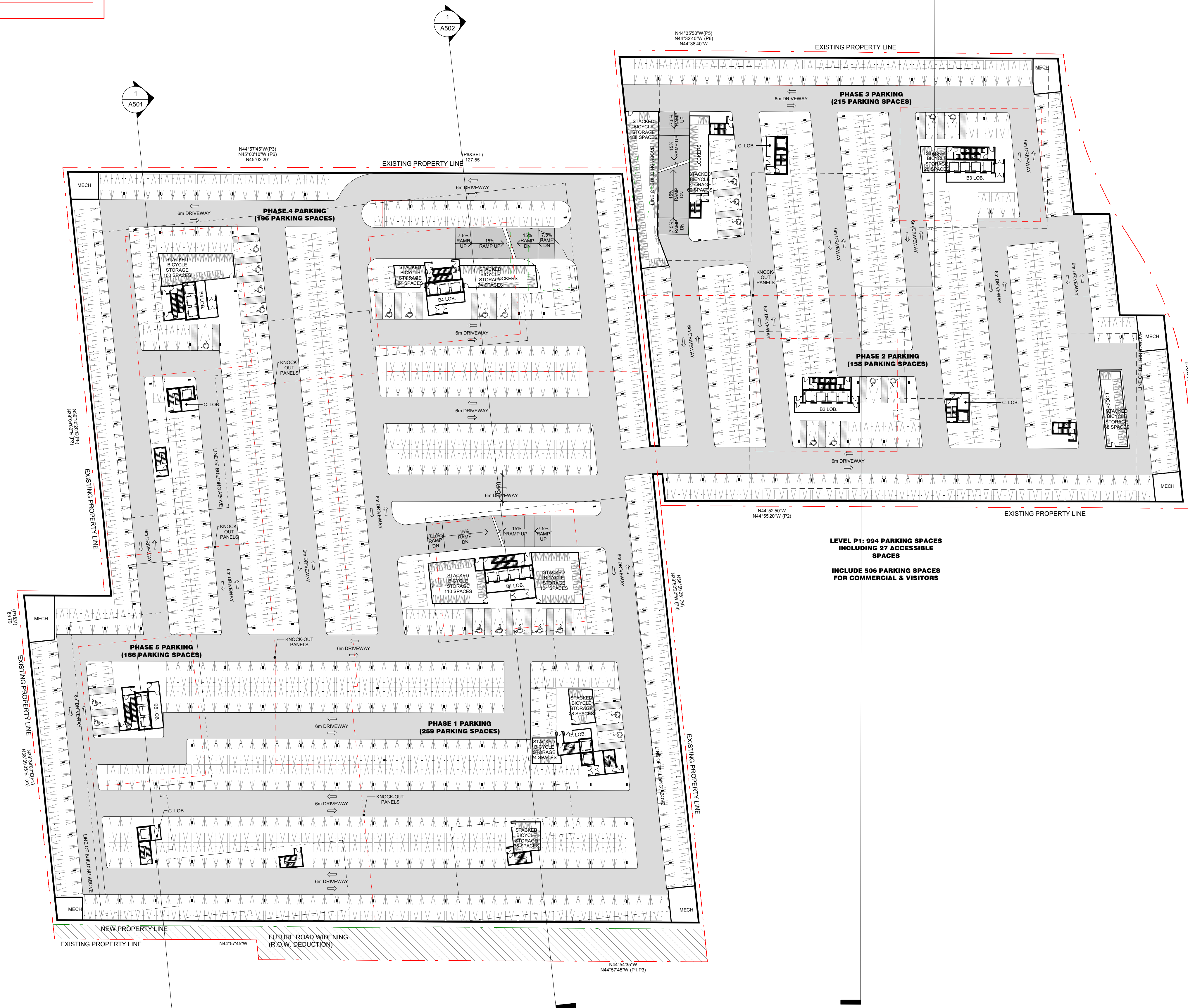


**TOWN OF CALEDON
PLANNING
RECEIVED**

April 20, 2021

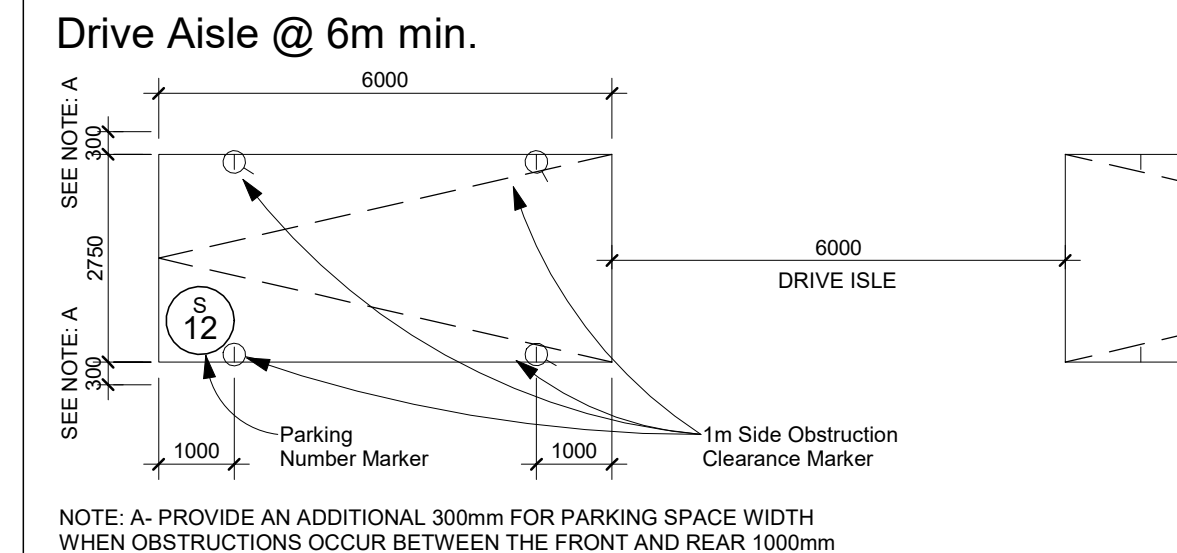


**LEVEL P1: 994 PARKING SPACES
INCLUDING 27 ACCESSIBLE
SPACES**

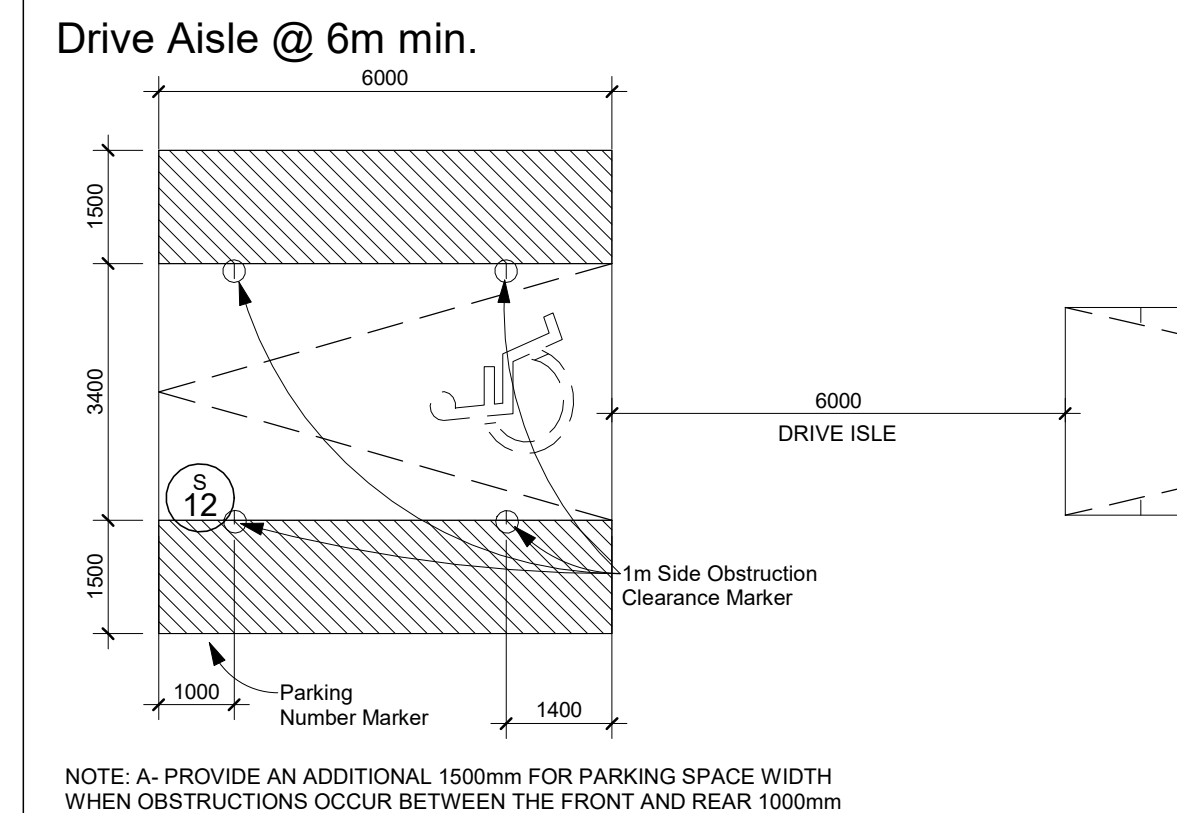
**INCLUDE 506 PARKING SPACES
FOR COMMERCIAL & VISITORS**

OVERALL LEVEL P1 FLOOR PLAN 1 A203
Scale: 1 : 500

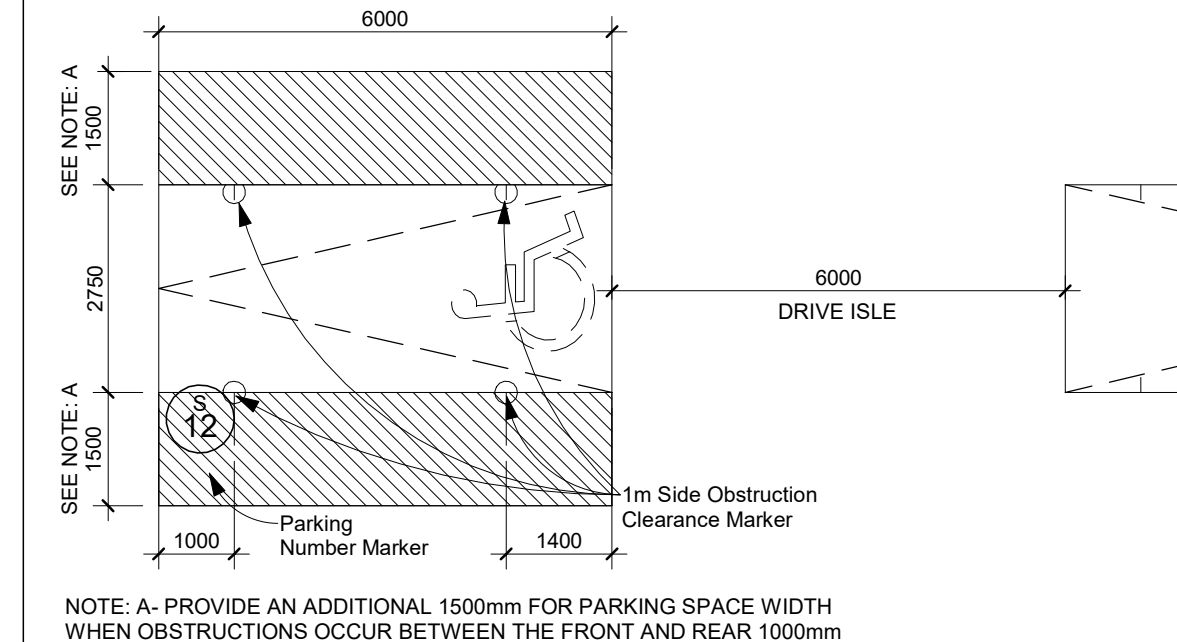
TYPICAL PARKING SPACE:



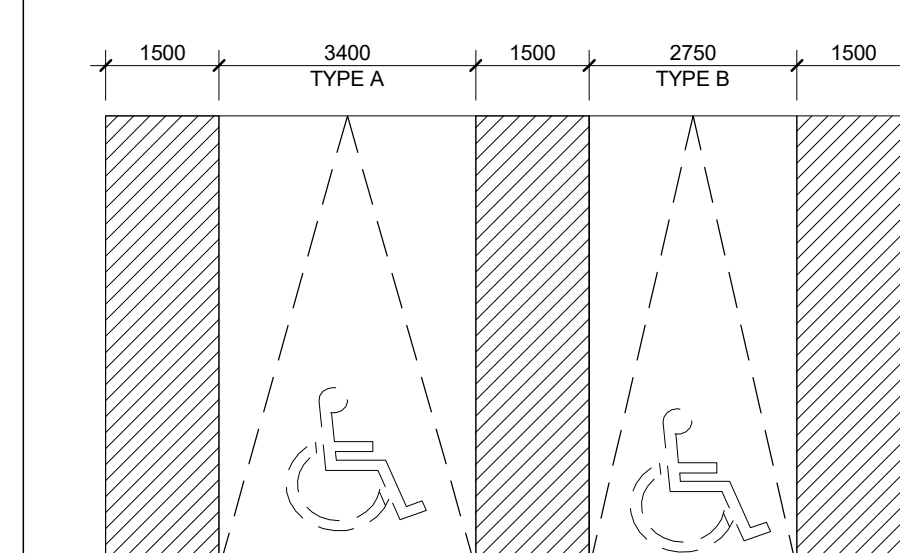
BARRIER-FREE PARKING SPACE TYPE A:



BARRIER-FREE PARKING SPACE TYPE B:

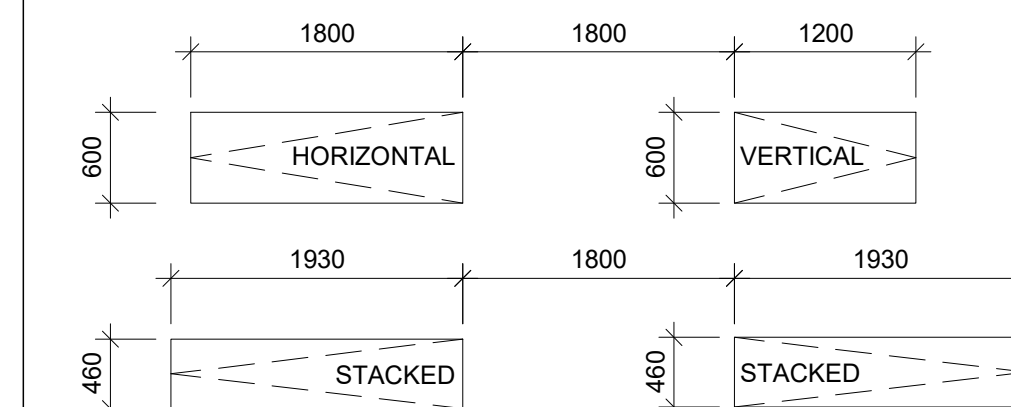


BARRIER-FREE PARKING SPACE TYPE A & B:



TYPICAL BICYCLE PARKING SPACE:

WALKWAY: MINIMUM 1800mm
 VERTICAL PARKING SPACE: 1200mm (L) x 600mm (W)
 HORIZONTAL PARKING SPACE: 1800mm (L) x 600mm (W)
 STACKED PARKING SPACE: 1930mm (L) x 460mm (W)



THESE DRAWINGS ARE NOT TO BE SCALED:
 ALL DIMENSIONS MUST BE VERIFIED BY CONTRACTOR
 PRIOR TO COMMENCEMENT OF ANY WORK. ANY
 DISCREPANCIES MUST BE REPORTED DIRECTLY TO SRN
 ARCHITECTS INC.

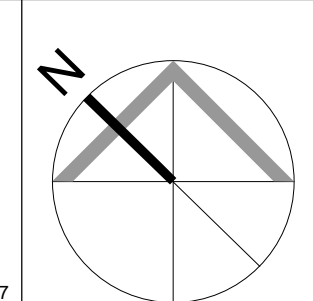
ADDITIONAL NOTES:
 THE DRAWING, AS AN INSTRUMENT OF SERVICE, IS PROVIDED BY AND IS THE PROPERTY OF SRN ARCHITECTS INC. THE CONTRACTOR MUST VERIFY AND ACCEPT RESPONSIBILITY FOR ALL DIMENSIONS AND CONDITIONS ON SITE AND MUST NOTIFY SRN ARCHITECTS INC. OF ANY VARIATIONS FROM THE SUPPLIED INFORMATION. SRN ARCHITECTS INC. IS NOT RESPONSIBLE FOR THE ACCURACY OF SURVEY, STRUCTURAL, MECHANICAL, ELECTRICAL, ETC. ENGINEERING INFORMATION SHOWN ON THIS DRAWING REFER TO APPROPRIATE ENGINEERS DRAWINGS BEFORE PROCEEDING WITH ANY WORK. CONSTRUCTION MUST CONFORM TO ALL APPLICABLE CODES AND REQUIREMENTS OF THE AUTHORITIES HAVING JURISDICTION (UNLESS OTHERWISE NOTED). NO INVESTIGATION HAS BEEN OR REPORTED ON BY THIS OFFICE IN REGARDS TO THE ENVIRONMENTAL CONDITION OF THIS SITE.

CONDITIONS FOR ELECTRONIC INFORMATION TRANSFER:
 ELECTRONIC INFORMATION IS SUPPLIED TO THE OTHER ASSOCIATED FIRMS TO ASSIST THEM IN THE EXECUTION OF THEIR WORK. THE RECIPIENT FIRMS MUST DETERMINE THE COMPLETENESS/APPROPRIATENESS/RELEVANCE OF THE INFORMATION IN RESPECT TO THEIR PARTICULAR RESPONSIBILITY.

NO.	DATE	REVISION COMMENT

SRN ARCHITECTS INC SHALL NOT BE RESPONSIBLE FOR:
 1. ERRORS, OMISSIONS, INCOMPLETENESS DUE TO LOSS OF INFORMATION IN WHOLE OR PART WHEN INFORMATION IS TRANSFERRED.
 2. TRANSMISSIONS OF ANY VIRUS OR DAMAGE TO RECEIVING ELECTRONIC SYSTEM WHEN INFORMATION IS TRANSFERRED

SRN ARCHITECTS
 8395 JANE ST, SUITE 202
 VAUGHAN, ONTARIO. L4K 5Y2
 PHONE: 905.417.5515 FAX: 905.417.5517



CLIENT: 12599 Hwy 50 Ltd.

PROJECT: MIXED USE DEVELOPMENT
 12563 & 12599 HWY 50
 BOLTON - ONTARIO

DRAWING TITLE: LEVEL P1 FLOOR PLAN

DATE: Feb. 26, 2021 SCALE: As indicated
 DRAWN BY: EM/EH CHECKED BY: EM/GR
 PROJECT NUMBER: S20023 DRAWING NUMBER: A203