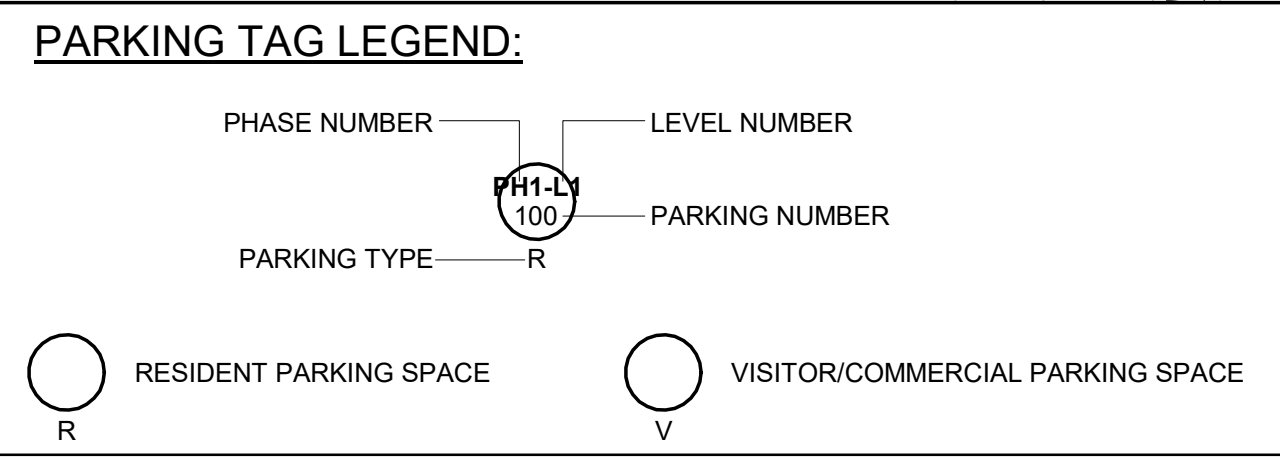
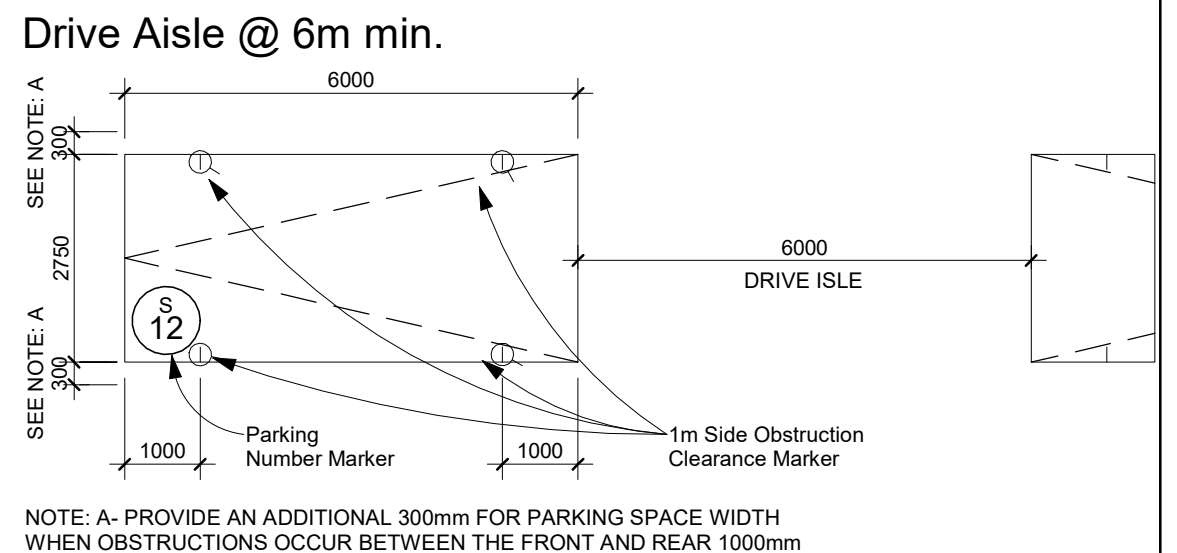




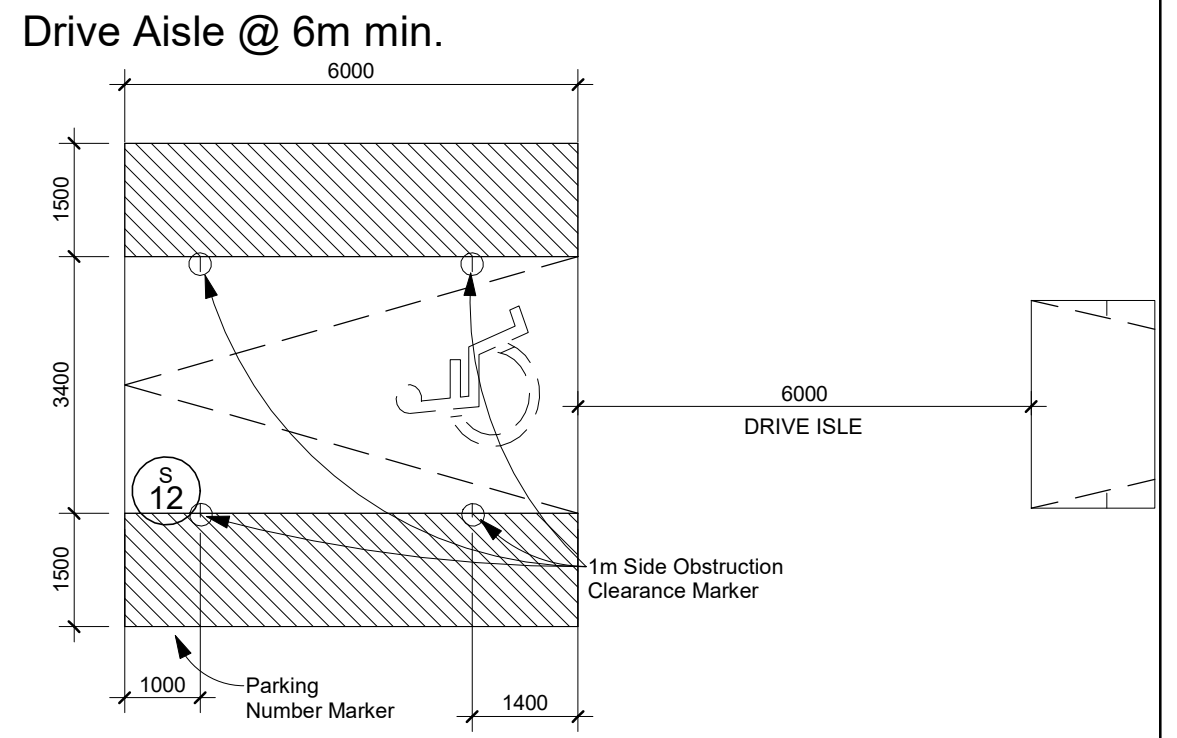
OVERALL SITE PLAN 1
Scale: 1 : 500 A110



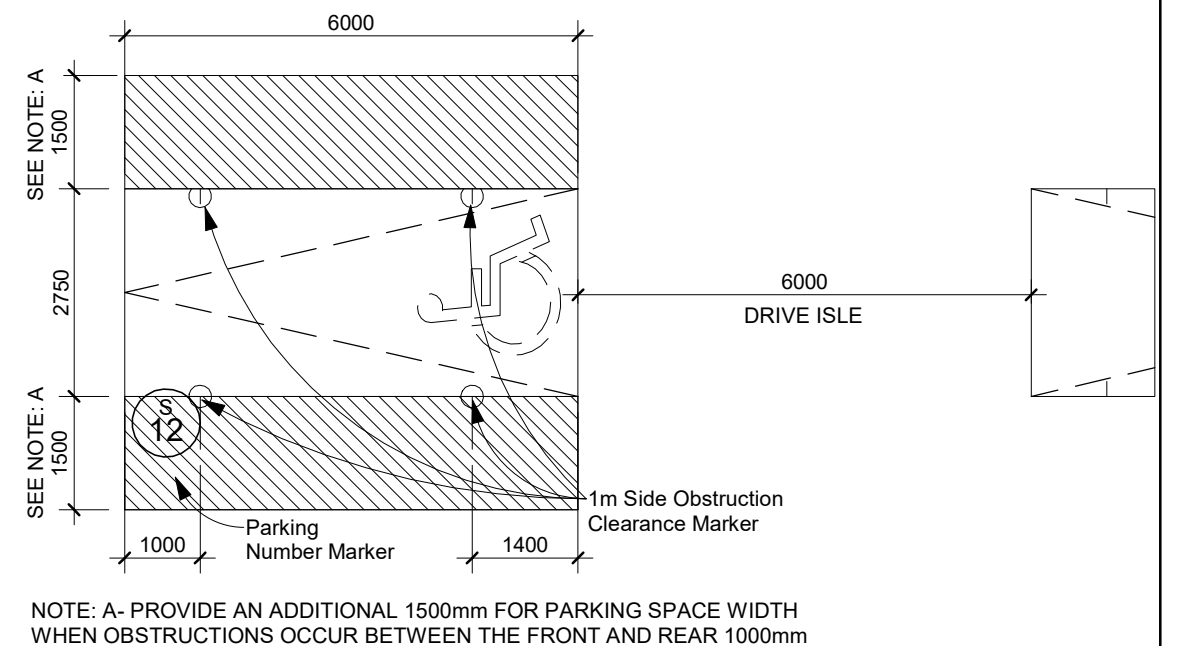
TYPICAL PARKING SPACE:



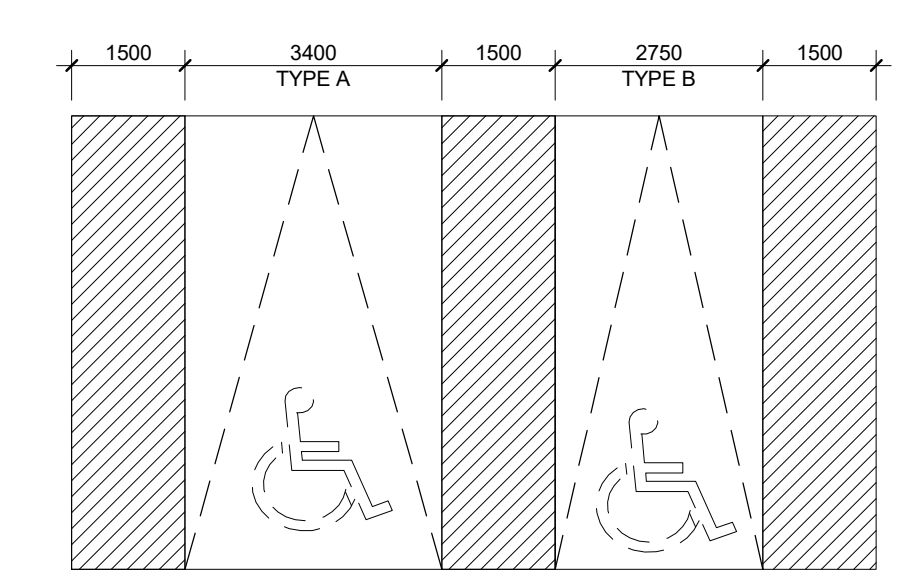
BARRIER-FREE PARKING SPACE TYPE A:



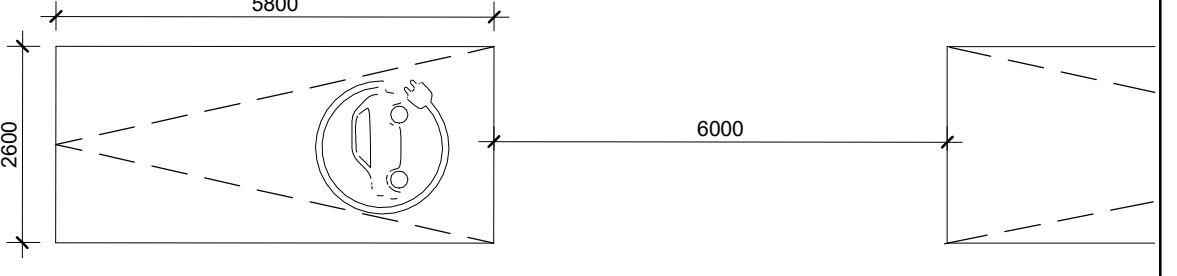
BARRIER-FREE PARKING SPACE TYPE B:



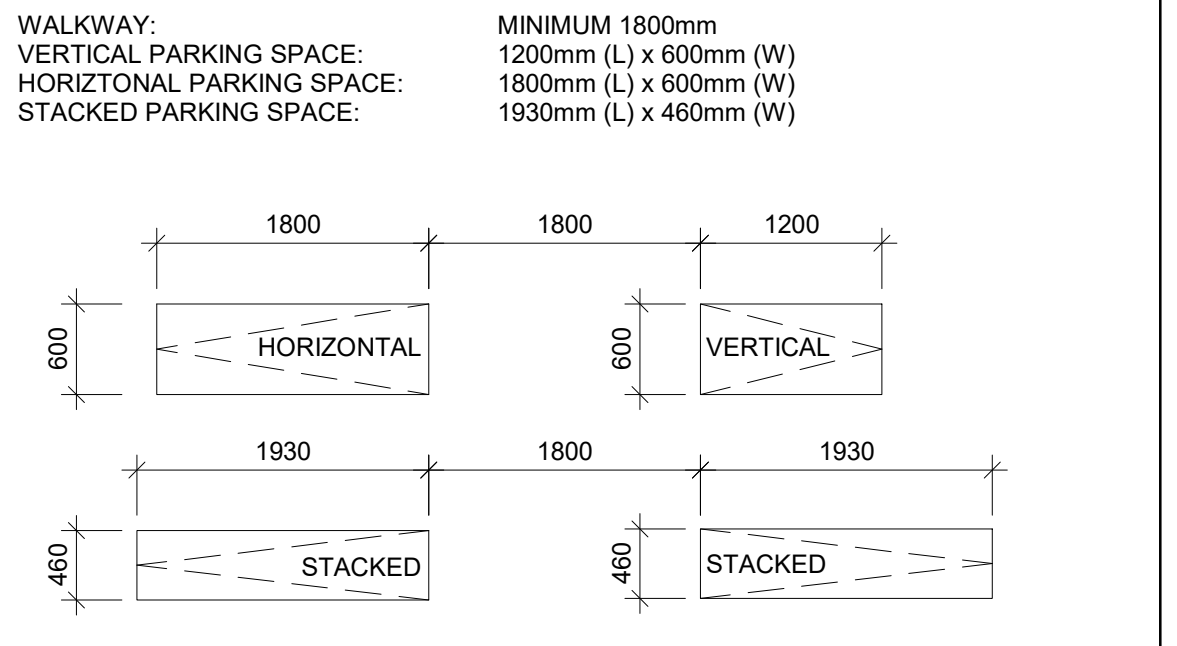
BARRIER-FREE PARKING SPACE TYPE A & B:



EV PARKING SPACE



TYPICAL BICYCLE PARKING SPACE:



THESE DRAWINGS ARE NOT TO BE SCALED:
ALL DIMENSIONS MUST BE VERIFIED BY CONTRACTOR
PRIOR TO COMMENCEMENT OF ANY WORK. ANY
DISCREPANCIES MUST BE REPORTED DIRECTLY TO SRN
ARCHITECTS INC.

ADDITIONAL NOTES:
THE DRAWING, AS AN INSTRUMENT OF SERVICE, IS PROVIDED BY AND IS THE PROPERTY OF SRN ARCHITECTS INC. THE CONTRACTOR MUST VERIFY AND ACCEPT RESPONSIBILITY FOR ALL DIMENSIONS AND CONDITIONS ON SITE AND MUST NOTIFY SRN ARCHITECTS INC. OF ANY VARIATIONS FROM THE SUPPLIED INFORMATION. SRN ARCHITECTS INC. IS NOT RESPONSIBLE FOR THE ACCURACY OF SURVEY, STRUCTURAL, MECHANICAL, ELECTRICAL, ETC. ENGINEERING INFORMATION SHOWN ON THIS DRAWING REFER TO APPROPRIATE ENGINEERS DRAWINGS BEFORE PROCEEDING WITH ANY WORK. CONSTRUCTION MUST CONFORM TO ALL APPLICABLE CODES AND REQUIREMENTS OF THE AUTHORITIES HAVING JURISDICTION (UNLESS OTHERWISE NOTED). NO INVESTIGATION HAS BEEN OR REPORTED ON BY THIS OFFICE IN REGARD TO THE ENVIRONMENTAL CONDITION OF THIS SITE.
CONDITIONS FOR ELECTRONIC INFORMATION TRANSFER: ELECTRONIC INFORMATION IS SUPPLIED TO THE OTHER ASSOCIATED FIRMS TO ASSIST THEM IN THE EXECUTION OF THEIR WORK. THE RECIPIENT FIRMS MUST DETERMINE THE COMPLETENESS/APPROPRIATENESS/RELEVANCE OF THE INFORMATION IN RESPECT TO THEIR PARTICULAR RESPONSIBILITY.

**TOWN OF CALEDON
PLANNING
RECEIVED**
Feb. 24, 2022

NO.	DATE	REVISION COMMENT
1	Feb 28th 2021	OPA ZBA
2	Feb 15th 2022	OPA ZBA Rev 01

SRN ARCHITECTS INC SHALL NOT BE RESPONSIBLE FOR:
1. ERRORS, OMISSIONS, INCOMPLETENESS DUE TO LOSS OF INFORMATION IN WHOLE OR PART WHEN INFORMATION IS TRANSFERRED.
2. TRANSMISSIONS OF ANY VIRUS OR DAMAGE TO RECEIVING ELECTRONIC SYSTEM WHEN INFORMATION IS TRANSFERRED

SRN
ARCHITECTS
8395 JANE ST, SUITE 202
VAUGHAN, ONTARIO, L4K 5Y2
PHONE: 905.417.5515 FAX: 905.417.5517

STAMP:
© SRN ARCHITECTS INC. 2017
CLIENT:
12599 Hwy 50 Ltd.

PROJECT:
MIXED USE DEVELOPMENT
12563 & 12599 HWY 50
BOLTON - ONTARIO

DRAWING TITLE:
SITE PLAN
DATE: Feb. 26, 2021 SCALE: As indicated
DRAWN BY: EM/EH CHECKED BY: EM/GR
PROJECT NUMBER: S20023 DRAWING NUMBER: A110