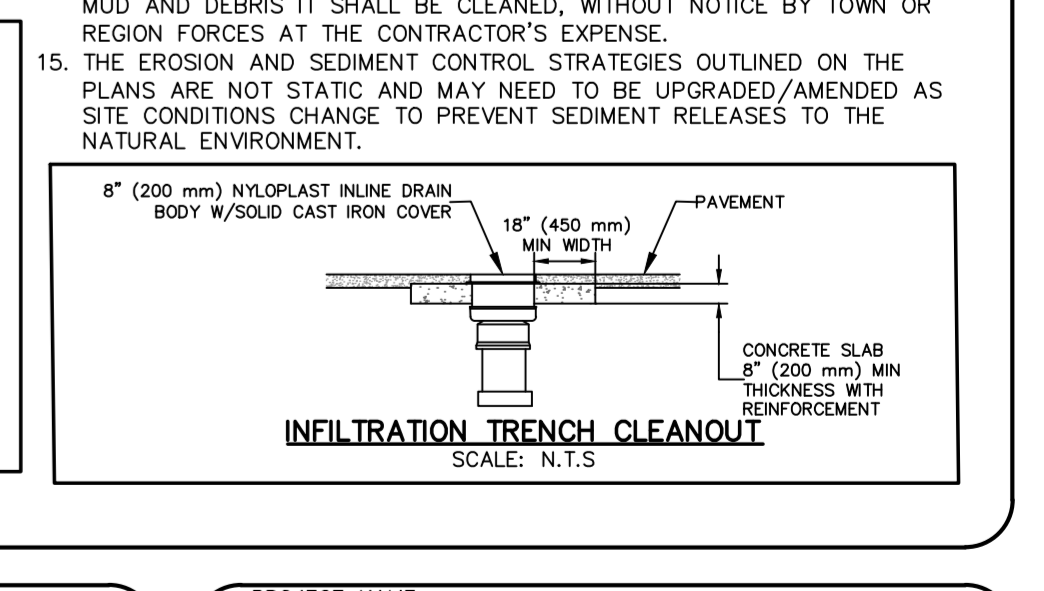
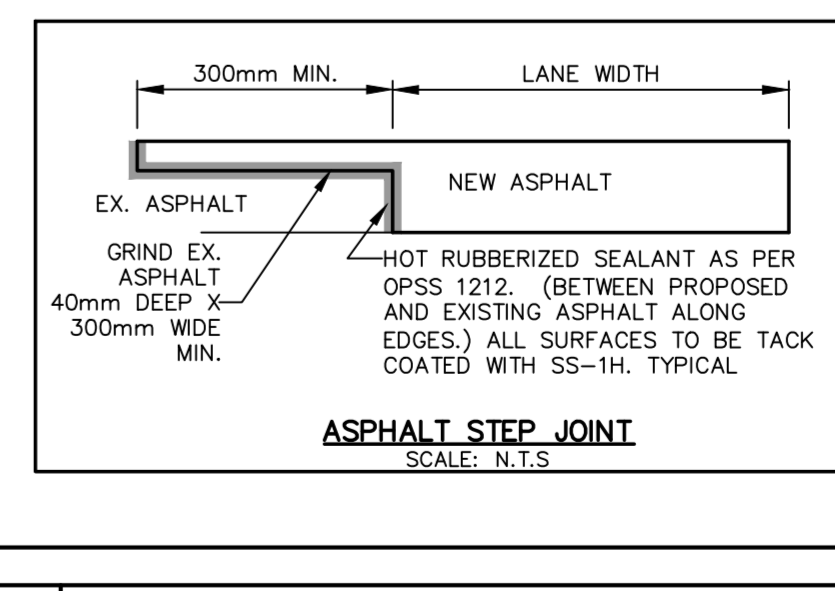
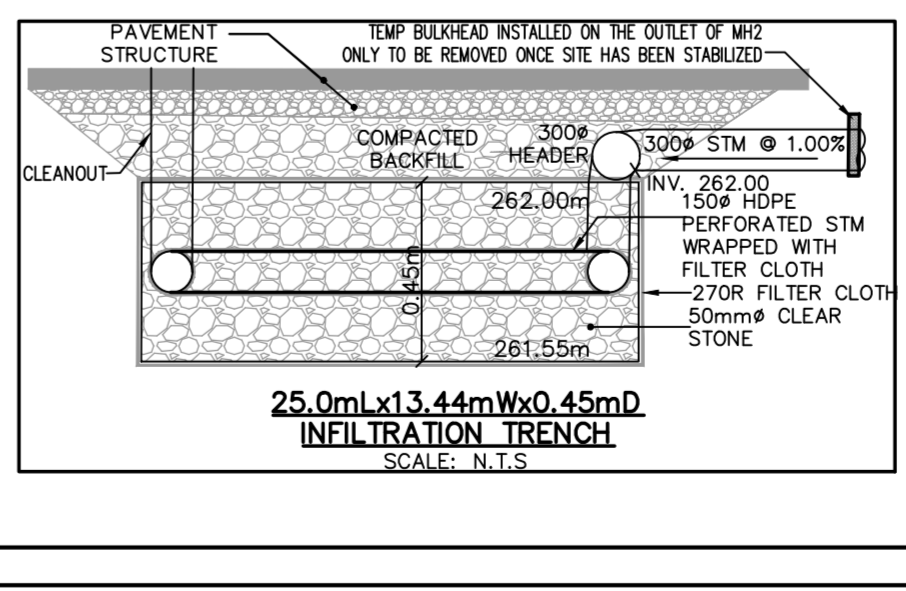
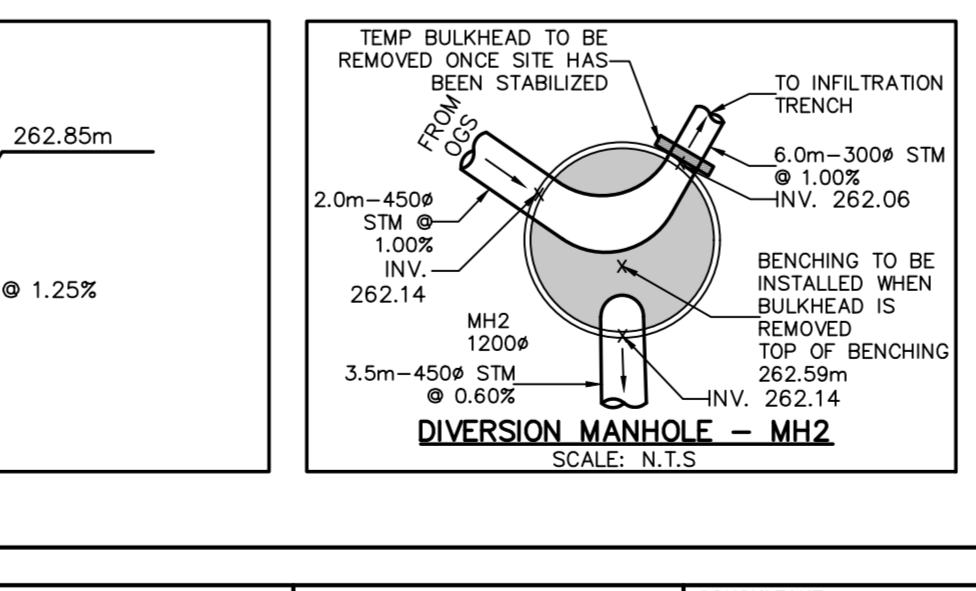
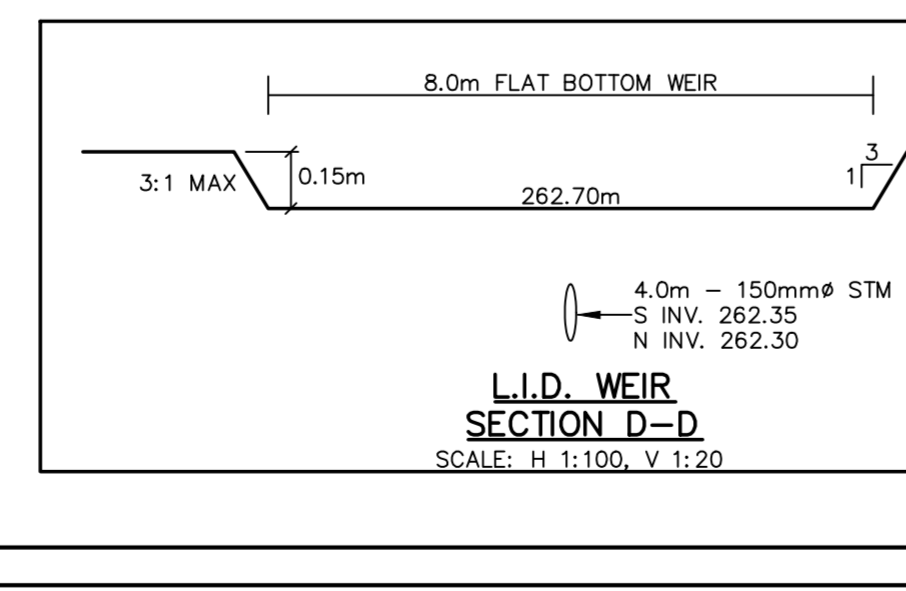
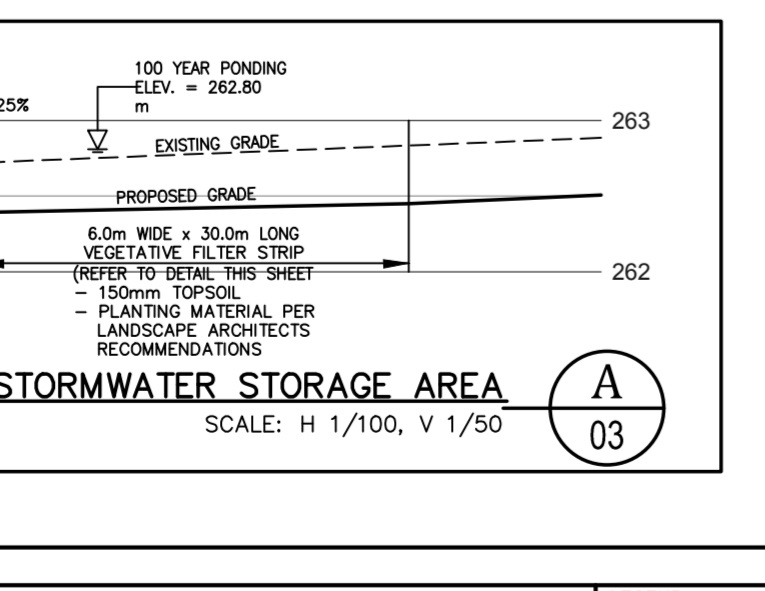
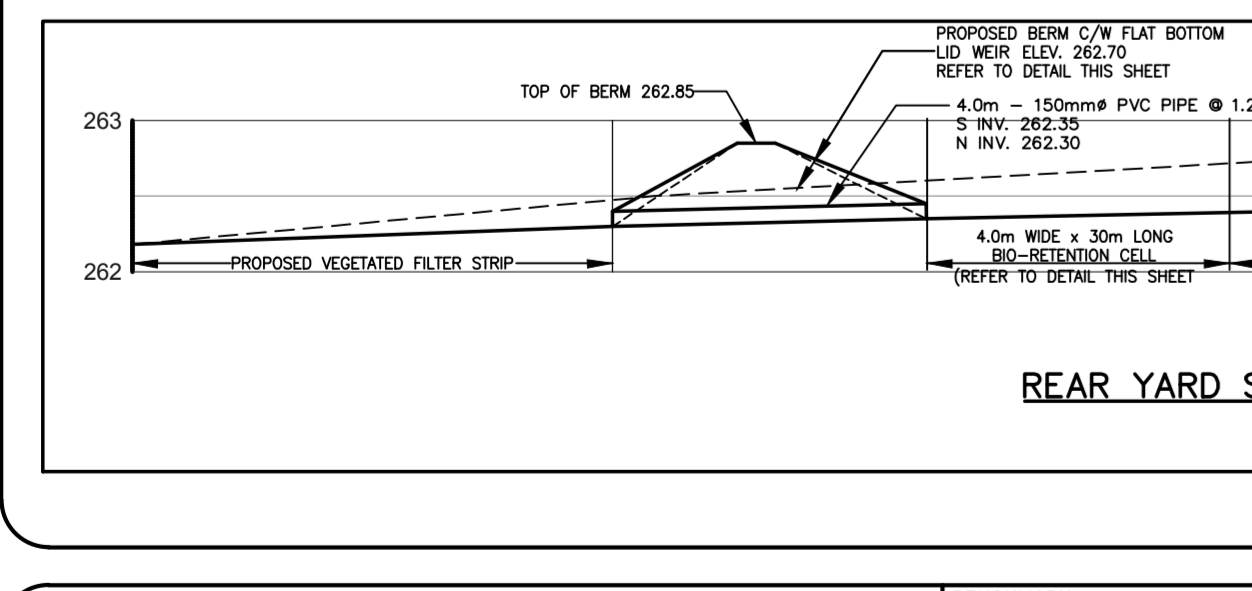
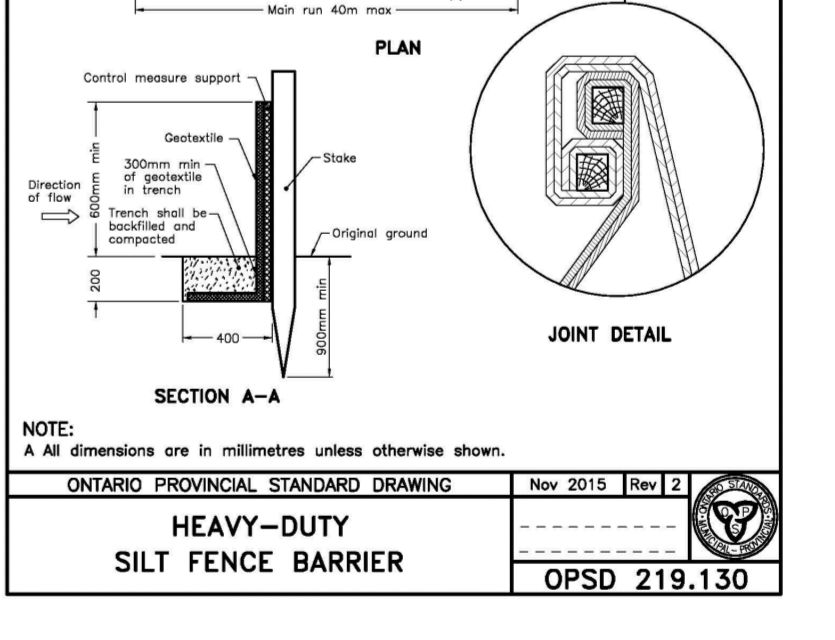
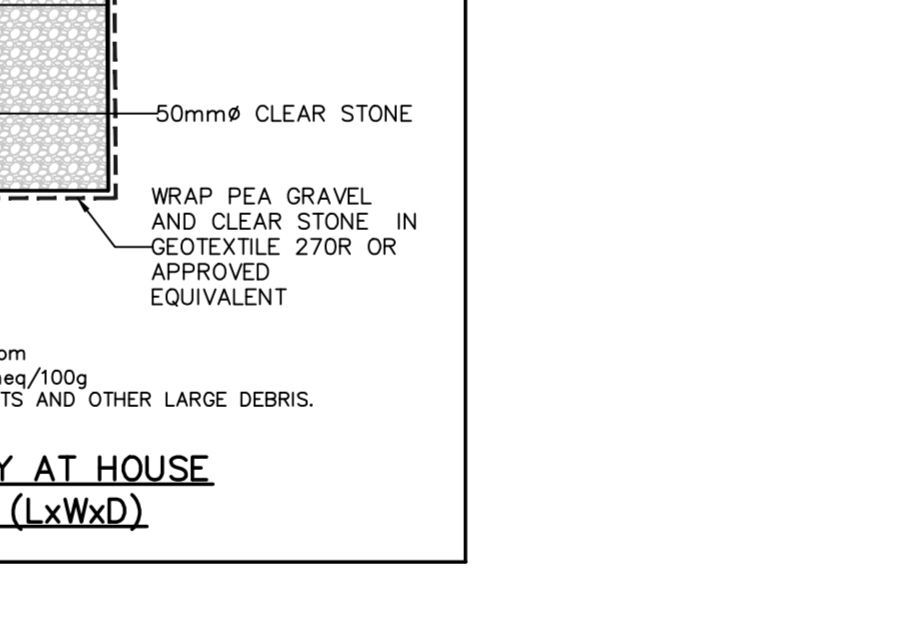
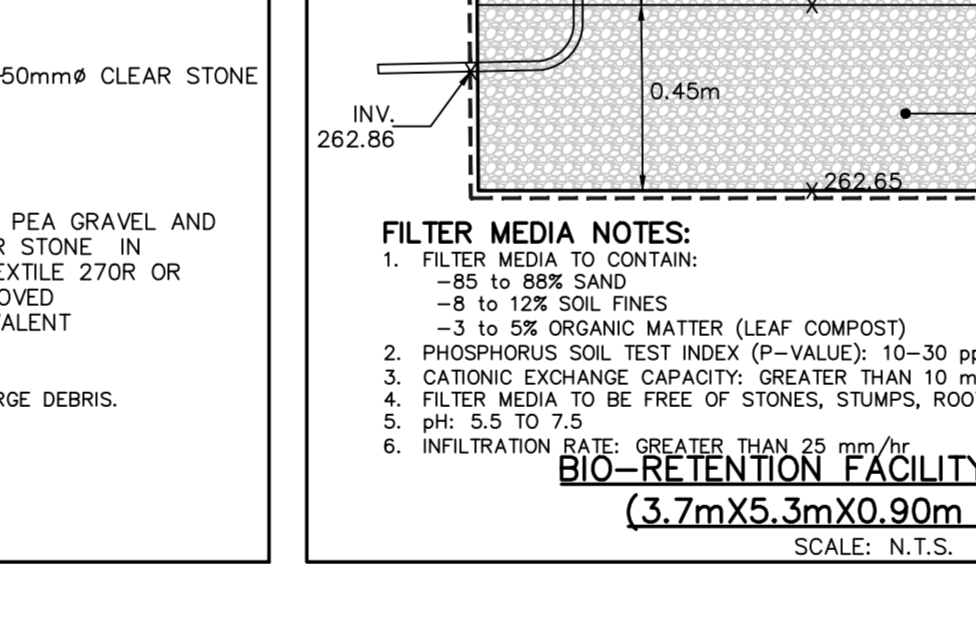
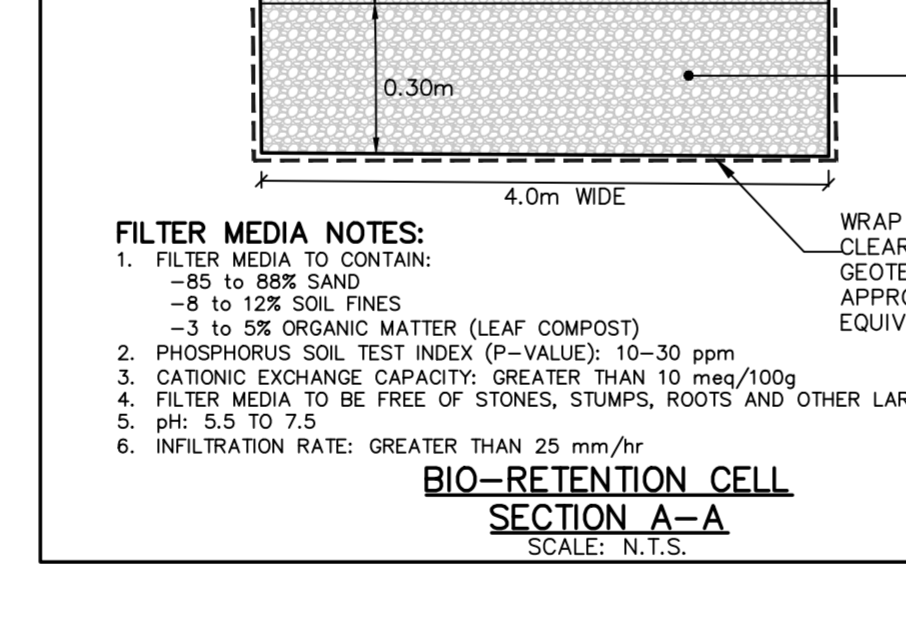
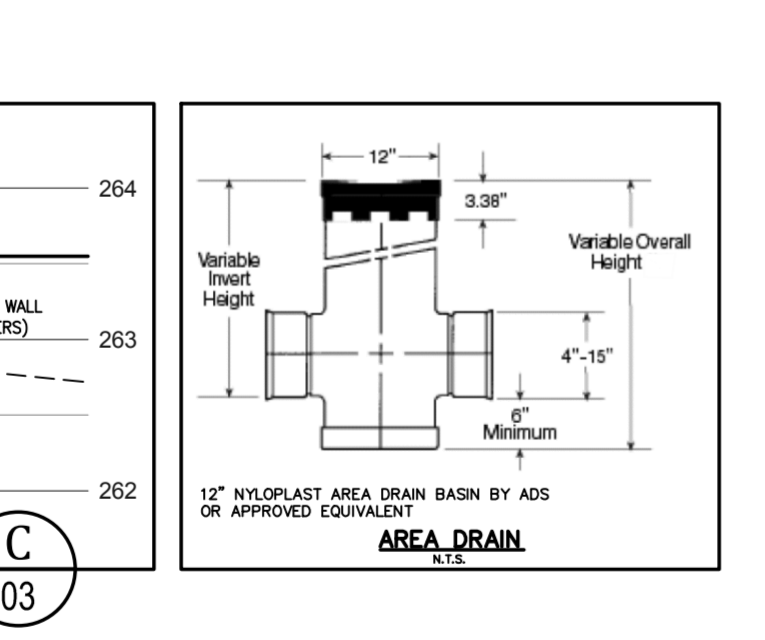
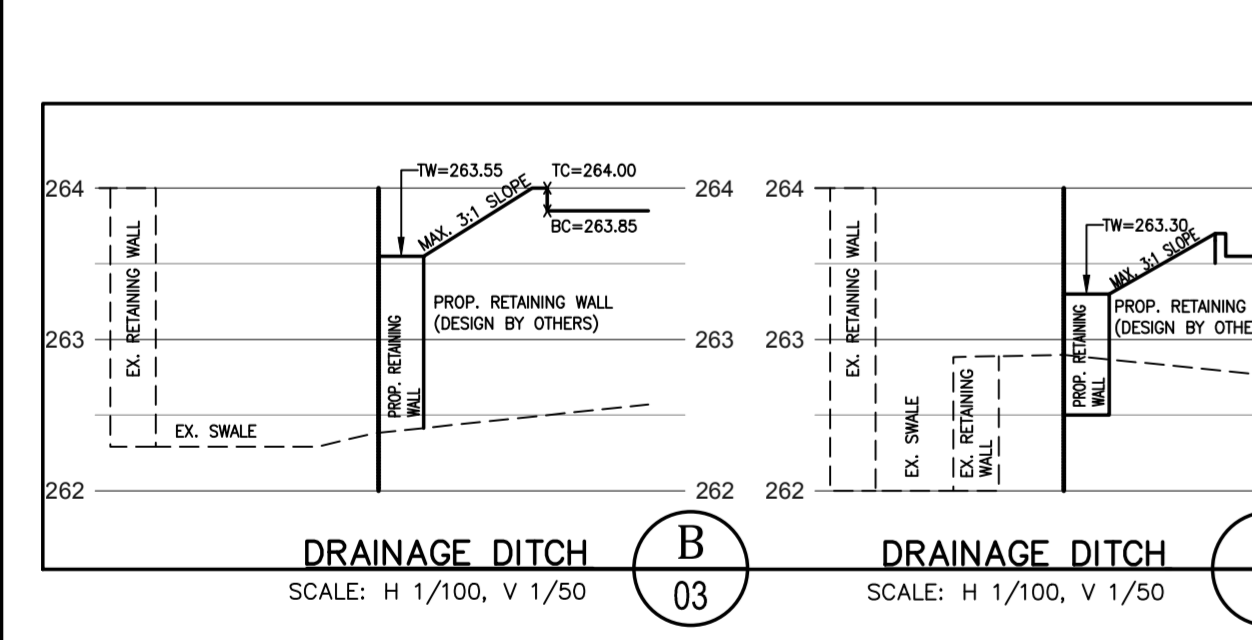
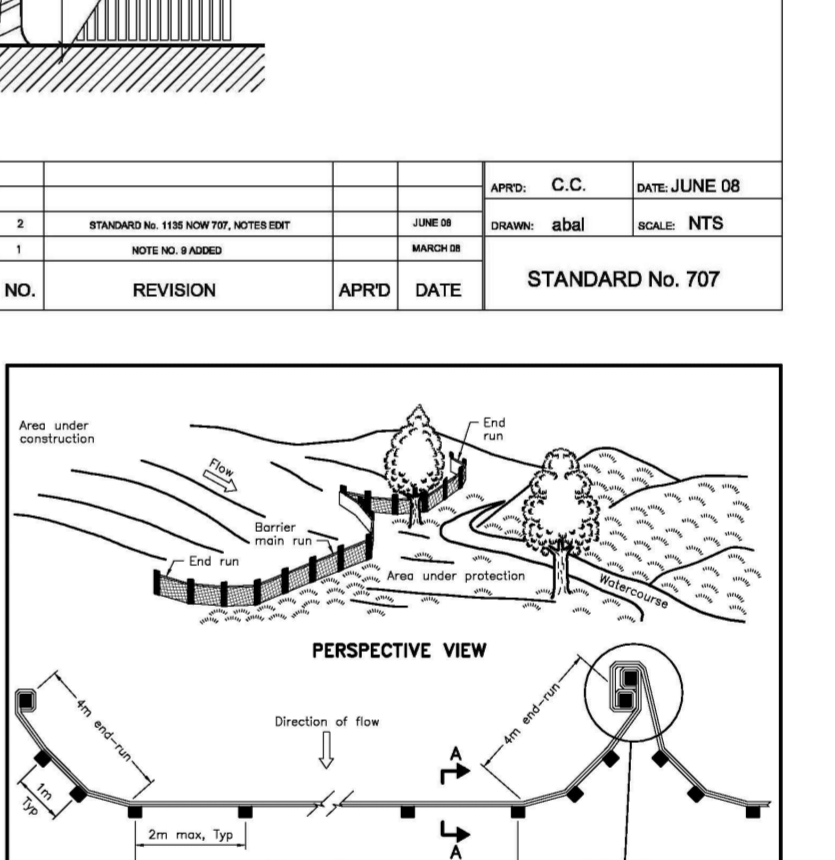
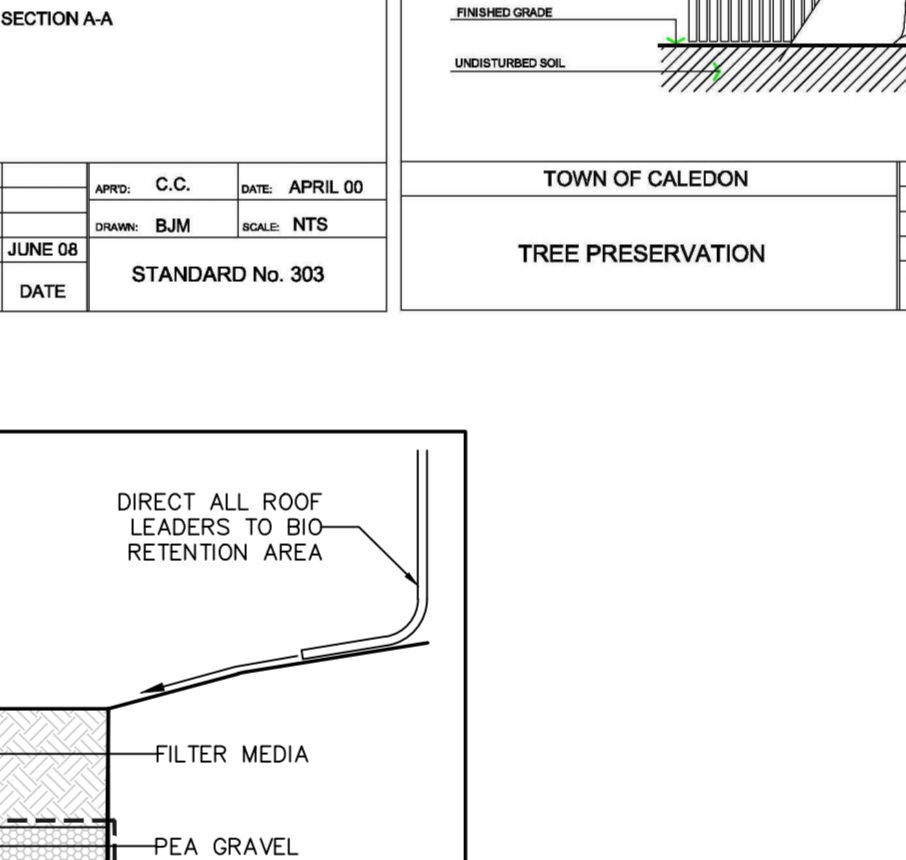
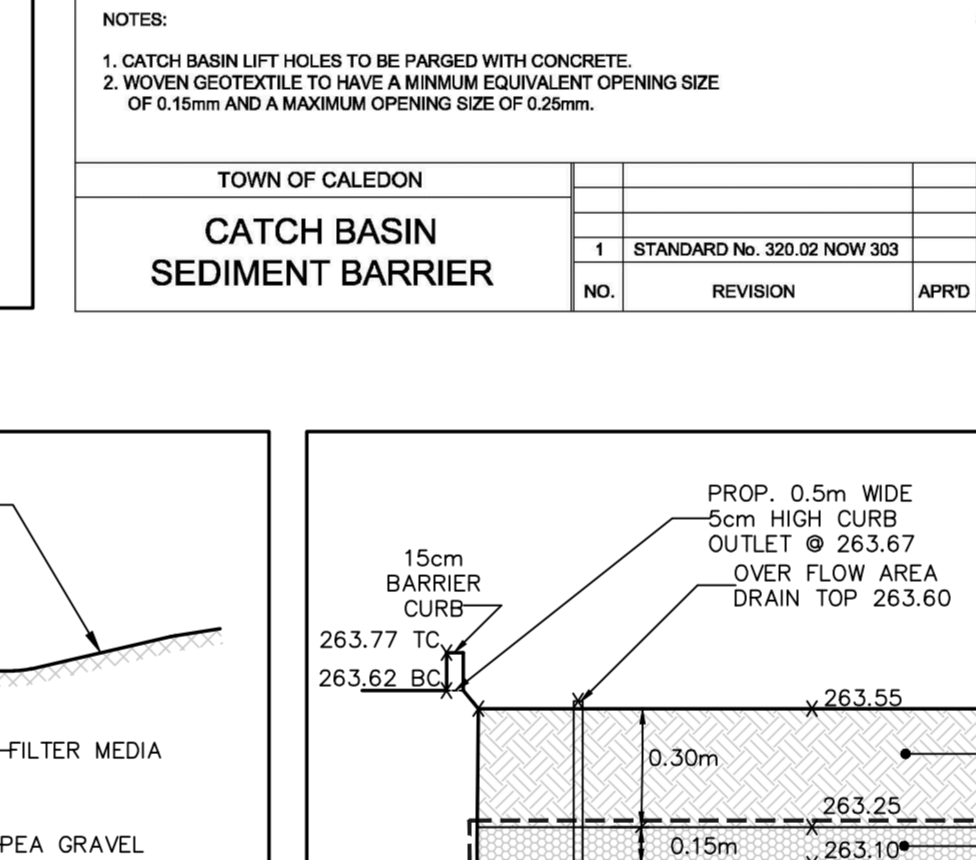
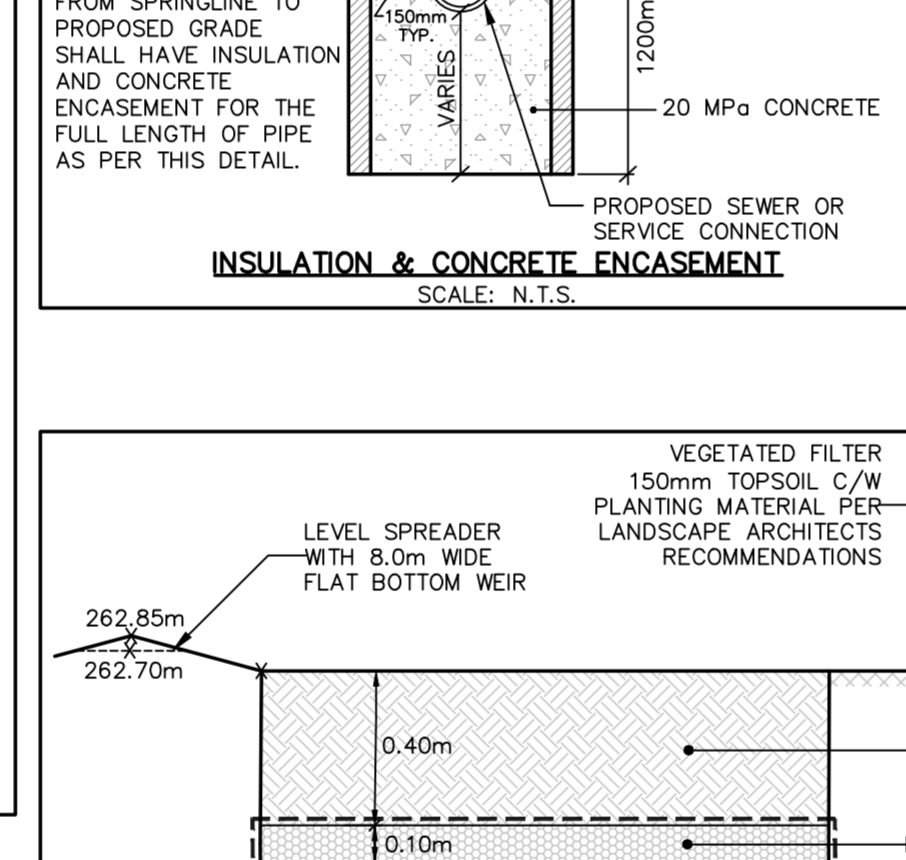
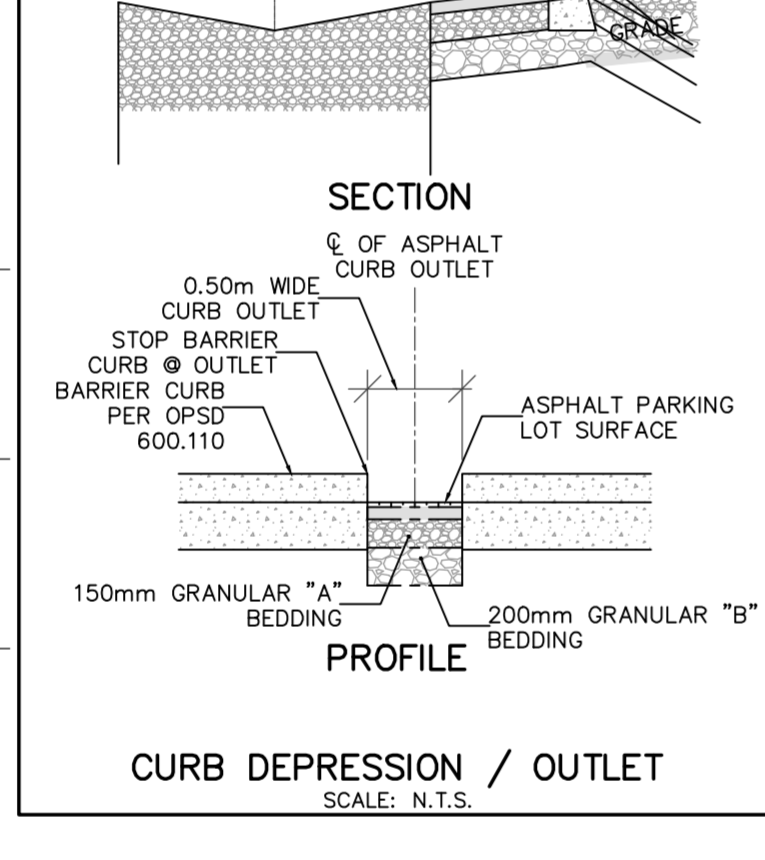
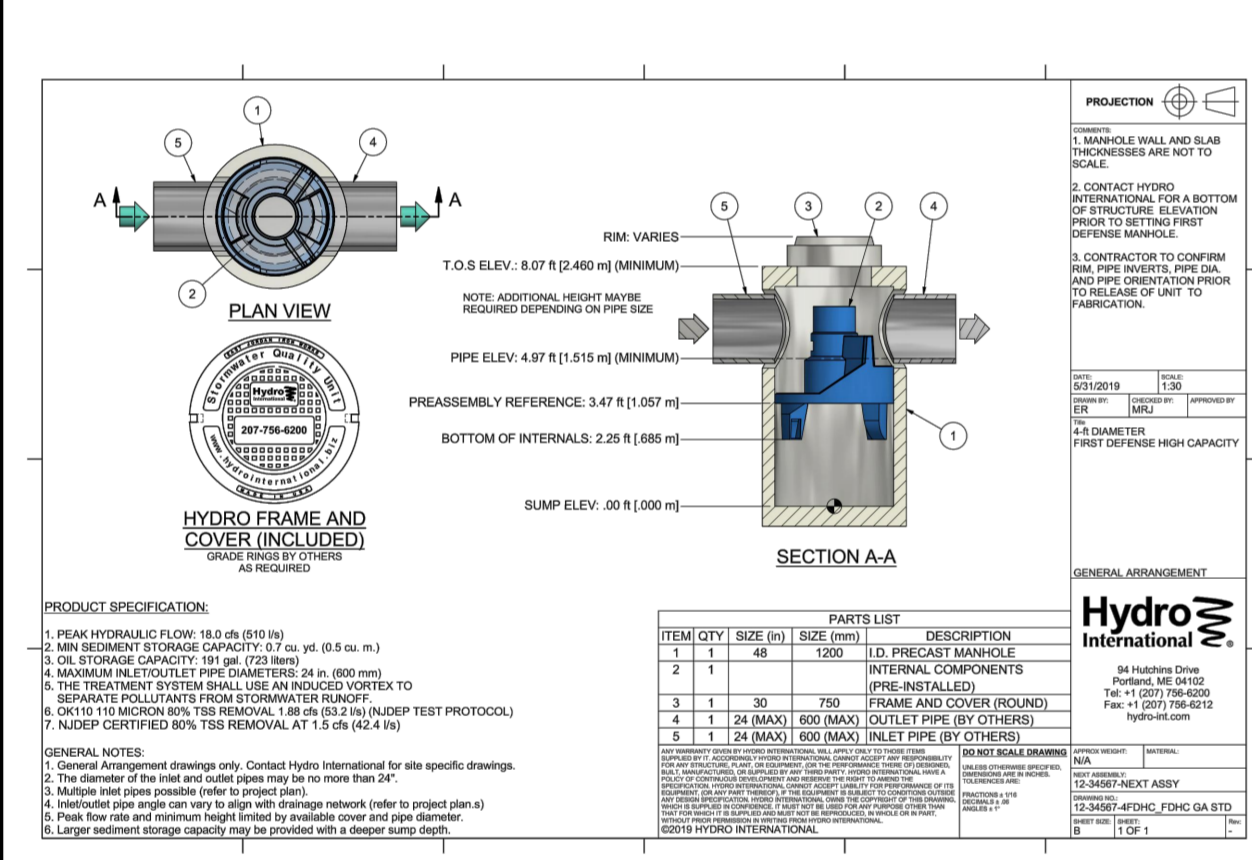
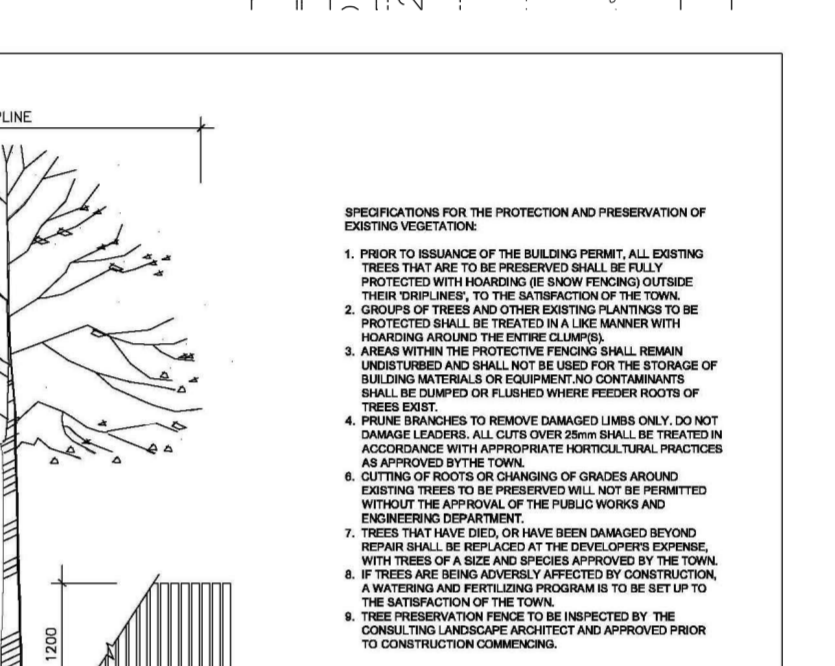
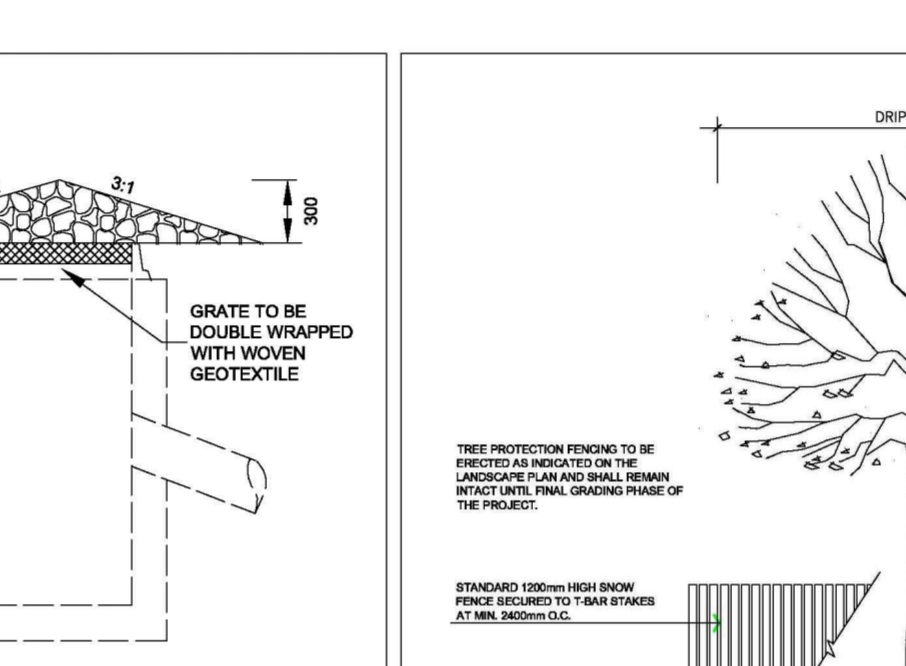
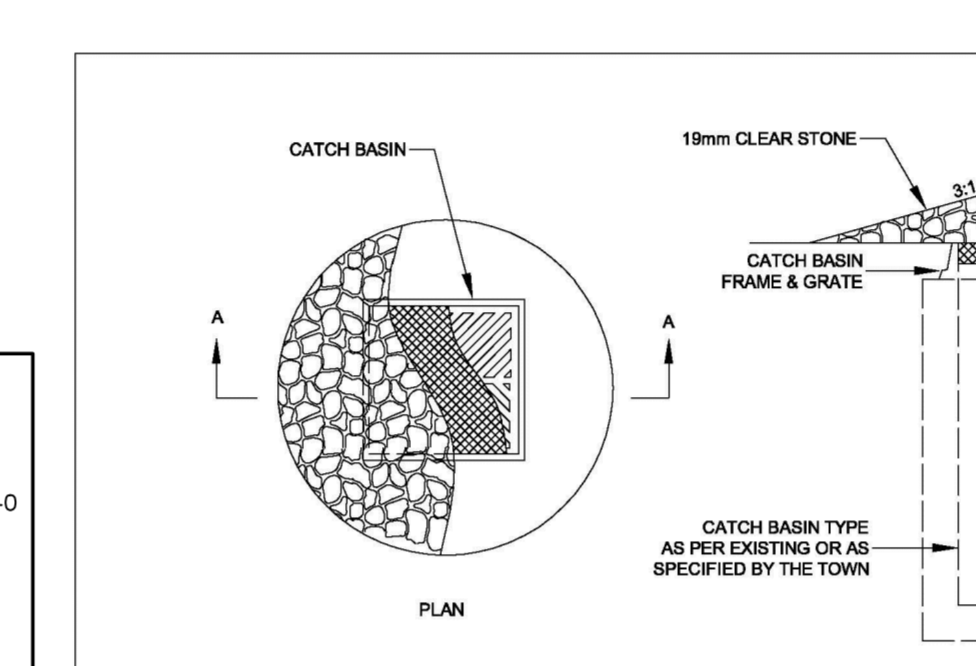
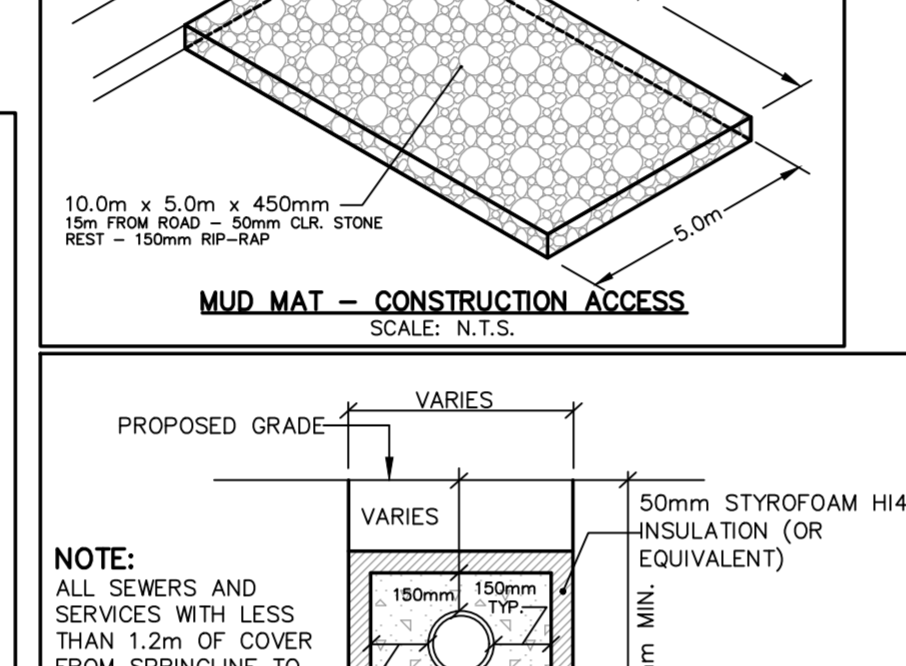
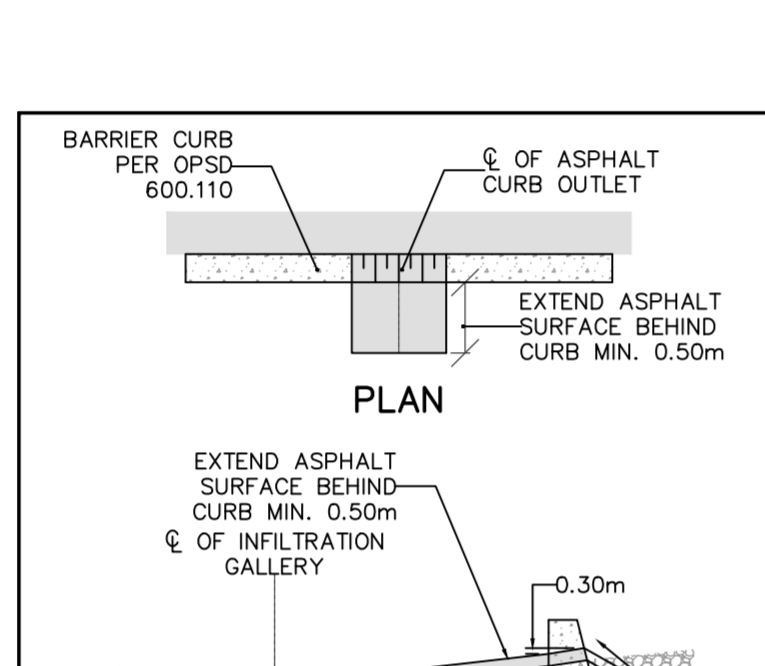


NOTES: 1. VERIFY ALL DIMENSIONS PRIOR TO CONSTRUCTION. 2. SURVEY PREPARED BY: CALDER ENGINEERING & YOUNG & YOUNG SURVEYING INC. DATE: NOVEMBER 08, 2019. 3. DO NOT SCALE DRAWINGS. 4. REPORT ALL ERRORS, OMISSIONS OR DISCREPANCIES TO URBAN WATERSHED GROUP LIMITED IMMEDIATELY UPON DISCOVERY. 5. USE ONLY LATEST REVISED DRAWINGS OR THOSE THAT ARE MARKED 'ISSUED FOR CONSTRUCTION'. 6. THE DRAWINGS ARE THE PROPERTY OF URBAN WATERSHED GROUP LIMITED AND MUST BE RETURNED ON COMPLETION OF THE PROJECT. ANY UNAUTHORIZED USE OF THIS PLAN IS PROHIBITED.

LEGAL DESCRIPTION PART OF LOT 11, CONCESSION 5 (ALBION) AS IN R0866564 TOWN OF CALEDON, REGIONAL MUNICIPALITY OF PEEI.

CONTRACTORS NOTE: AT THE TIME OF TENDER, THE CONTRACTOR SHALL REVIEW THE DRAWINGS AND INVESTIGATE ALL EXISTING SERVICES, WATERMANS, UTILITIES AND SEWERS AT POINTS OF CROSSING TO THEIR SATISFACTION AND MODIFY THEIR QUOTATION ACCORDINGLY. THE CONTRACTOR SHALL BE RESPONSIBLE FOR ALL COSTS ASSOCIATED WITH THE ADJUSTING OF ALL UTILITIES, SEWERS AND WATERMANS AS REQUIRED TO COMPLETE THE CONSTRUCTION OF THE SITE SERVING.



REVISIONS table with columns for NO., DESCRIPTION, and DATE. Includes a row for ISSUED FOR SITEPLAN APPROVAL dated 2020/05/08.

LEGEND table listing symbols for PROPERTY LINE, EX. WALL MOUNTED LIGHTING, EX. TREE, PROPOSED CATCHBASIN, PROPOSED STORM MANHOLE, and PROPOSED AREA DRAIN.

LEGEND table listing symbols for PROPOSED TEMPORARY SEDIMENT CONTROL FENCE, PROPOSED TEMPORARY TREE PROTECTION FENCING, and PROPOSED CATCHBASIN PROTECTION FENCING.

Professional Engineer stamp for J.D. Hartman, License No. 14053, dated May 2020.

Consultant information for Urban Watershed Group Ltd., 15955 Airport Road, Suite 304, Caledon, Ontario.

DESIGNED BY: P. ELLIS, DATE: JULY 11, 2019. DRAWN BY: B. KLESS, SURVEYED BY: CALDER ENGINEERING & YOUNG & YOUNG. CHECKED BY: J. HARTMAN, D.W.G. No.: 19051-ESC1.

PROJECT NAME: 2473903 ONTARIO INC. SPA 16-63 C-491480. DRAWING NAME: DETAILS AND EROSION AND SEDIMENT CONTROL PLAN.