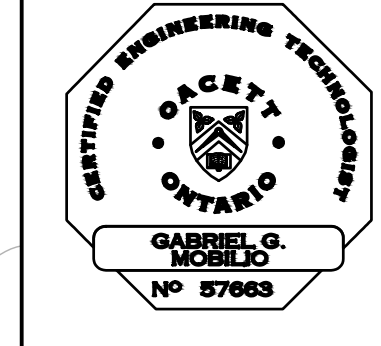


TOWN OF CALEDON
PLANNING
RECEIVED
February 13, 2026

BENCH MARKS :

THE POSITION OF POLE LINES, CONDUITS, WATERMANS, SEWERS AND OTHER UNDERGROUND AND OVERGROUND UTILITIES AND STRUCTURES IS NOT NECESSARILY SHOWN ON THE CONTRACT DRAWINGS AND, WHERE SHOWN, THE ACCURACY OF THE POSITION OF SUCH UTILITIES AND STRUCTURES IS NOT GUARANTEED.
BEFORE STARTING WORK, THE CONTRACTOR SHALL INFORM HIMSELF OF THE EXACT LOCATION OF ALL SUCH UTILITIES AND STRUCTURES, AND SHALL ASSUME ALL LIABILITY FOR ANY DAMAGE TO THEM.

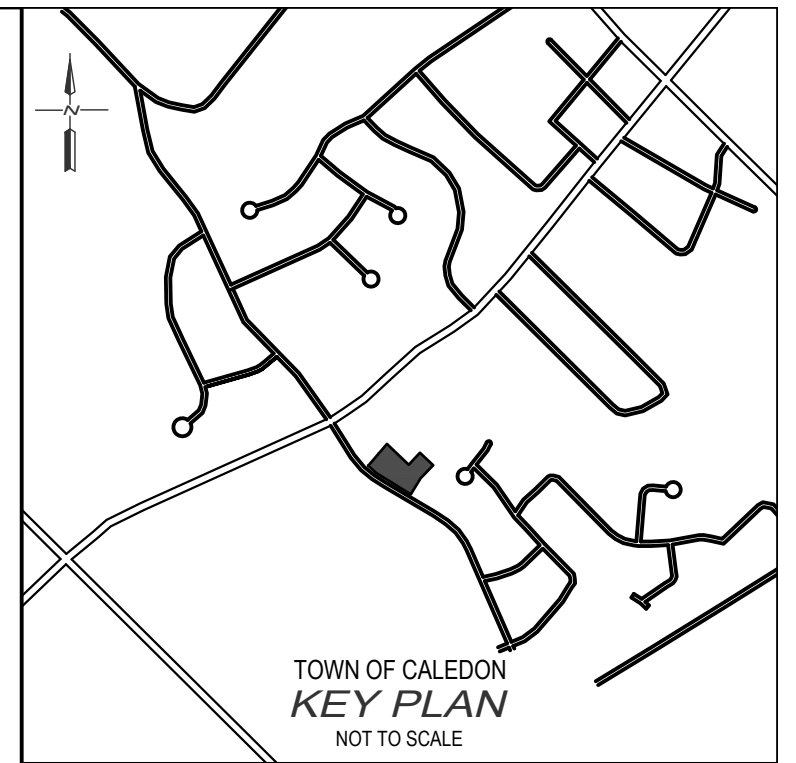
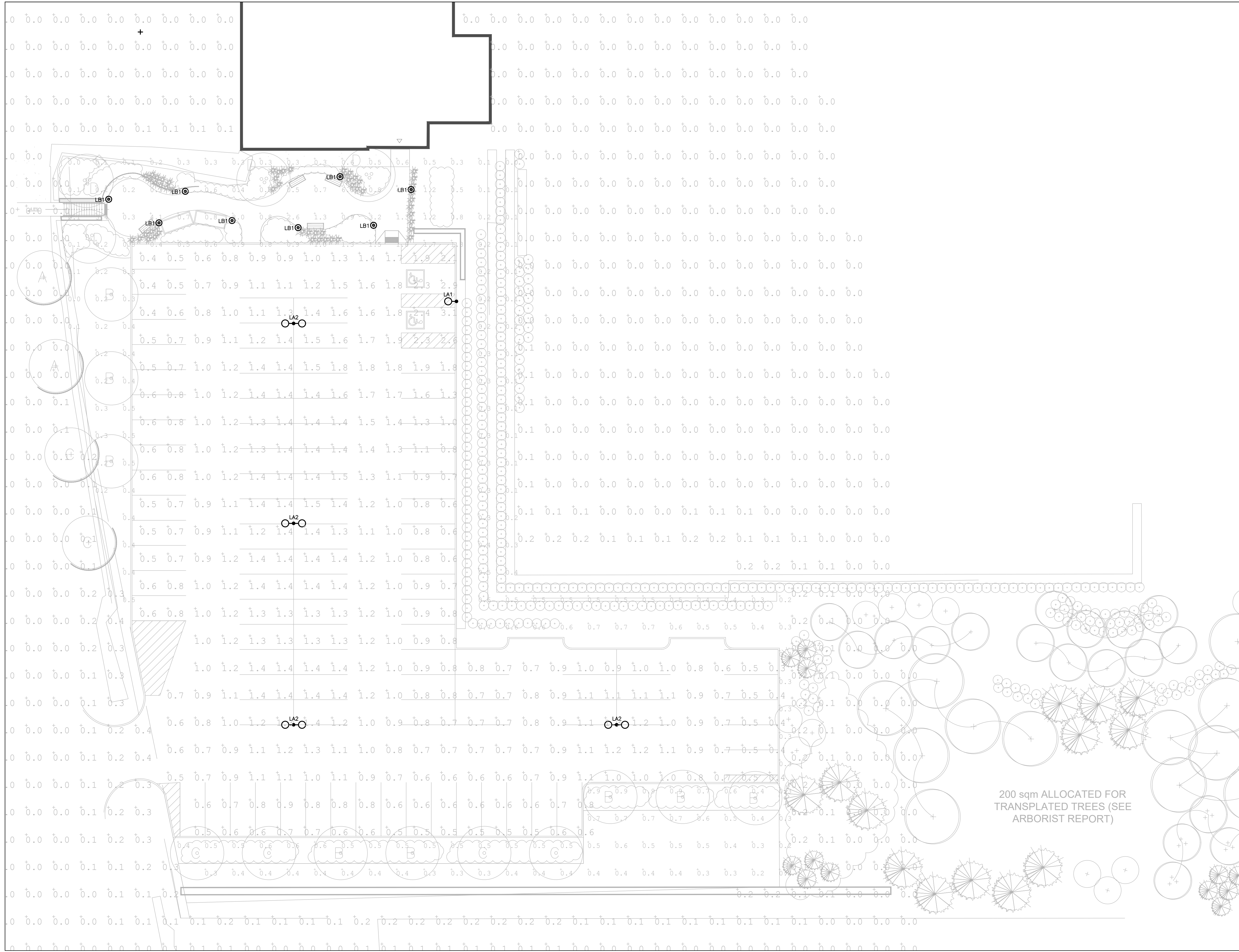


NO.	DATE	REVISION DESCRIPTION	CHKD
2	13.02.2026	RE-ISSUED FOR SPA	D.D
1	09.02.2024	ISSUED FOR SPA	Y.D

CONSULTING ENGINEERS LIGHTING - ELECTRICAL
595 CITYVIEW BLVD, SUITE 204/205
VAUGHAN, ONTARIO, CANADA L4H 3M7
Tel: (905) 417-8851 Fax: (905) 417-8852
www.e-lumen.ca

14 STATION ROAD
KING STATION FACILITY INC.
TOWN OF CALEDON
LIGHTING SITE PLAN

DRAWN BY: Y.D.	APPROVED BY: F.C./J.M.	PROJECT NO.: 23-141	DRAWING NO.: E1.0
DESIGNED BY: Y.D.	DATE: FEB 2024	SCALE: 1:200	



BENCH MARKS :

THE POSITION OF POLE LINES, CONDUITS, WATERMANS, SEWERS AND OTHER UNDERGROUND AND OVERGROUND UTILITIES AND STRUCTURES IS NOT NECESSARILY SHOWN ON THE CONTRACT DRAWINGS AND, WHERE SHOWN, THE ACCURACY OF THE POSITION OF SUCH UTILITIES AND STRUCTURES IS NOT GUARANTEED.

BEFORE STARTING WORK, THE CONTRACTOR SHALL INFORM HIMSELF OF THE EXACT LOCATION OF ALL SUCH UTILITIES AND STRUCTURES, AND SHALL ASSUME ALL LIABILITY FOR ANY DAMAGE TO THEM.

NO.	DATE	REVISION DESCRIPTION	CHKD
2	13.02.2026	RE-ISSUED FOR SPA	D.D
1	09.02.2024	ISSUED FOR SPA	Y.D

**CONSULTING ENGINEERS
LIGHTING - ELECTRICAL**
595 CITYVIEW BLVD., SUITE 204/205
VAUGHAN, ONTARIO, CANADA L4H 3M7
Tel: (905) 417-8851 Fax: (905) 417-8852
www.e-lumen.ca

14 STATION ROAD

KING STATION FACILITY INC.

TOWN OF CALEDON

LIGHTING SITE PLAN ANALYSIS

DRAWN BY: Y.D.	APPROVED BY: F.C./J.M.	PROJECT NO.: 23-141	DRAWING NO.: E1.1
DESIGNED BY: Y.D.	DATE: FEB 2024	SCALE: 1:200	

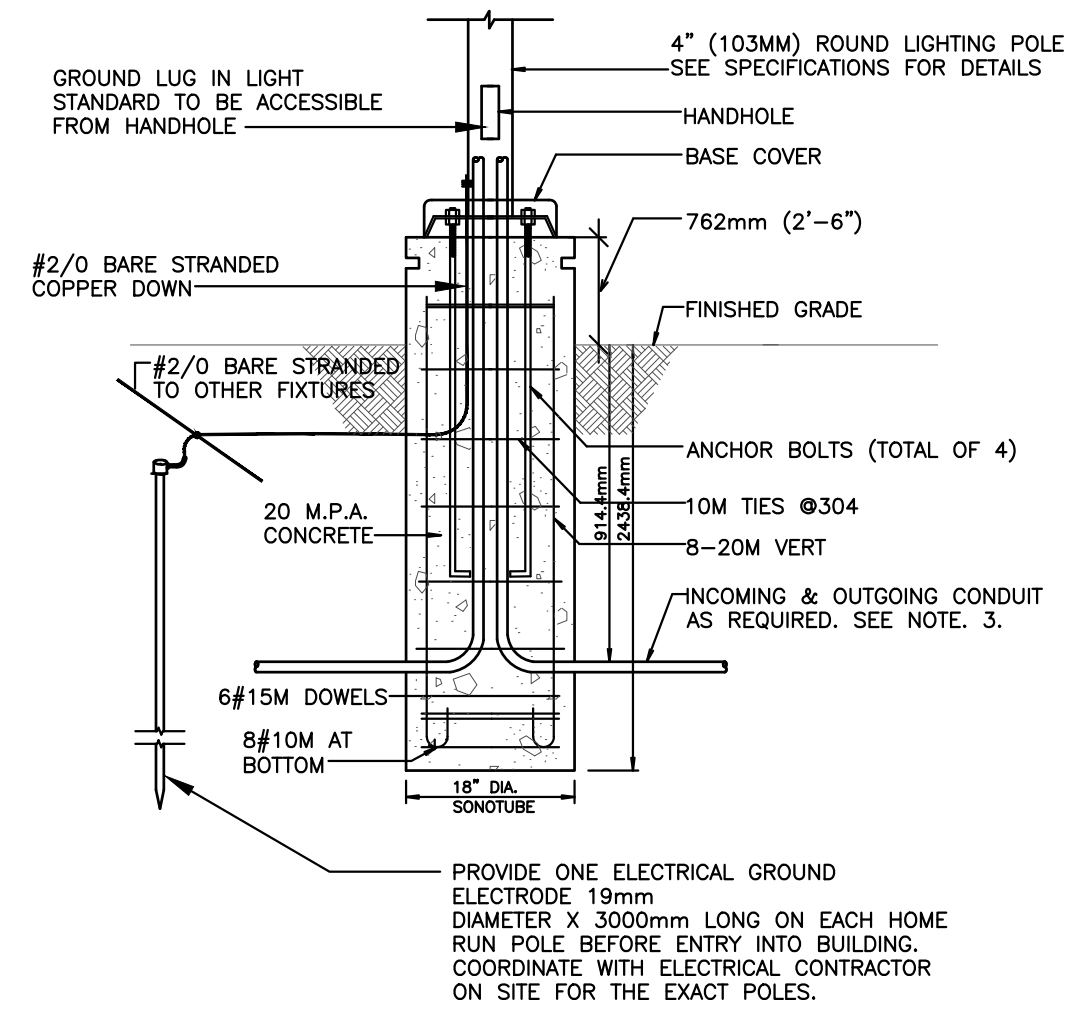
200 sqm ALLOCATED FOR TRANSPALATED TREES (SEE ARBORIST REPORT)

LUMINAIRE SCHEDULE							
Symbol	Label	Description	Lum. Lumens	Lum. Watts	LLF	LUMINAIRE MOUNTING	MANUFACTURER
○●	LA1	ECF-S-32L-530-WW-G2-BLC	5005	54.87	0.9	22'-6"	SIGNIFY GARDCO
○●●	LA2	ECF-S-32L-365-WW-G2-SW	5604	40	0.9	22'-6"	SIGNIFY GARDCO
◎	LB1	PBL-36-14L-100-NW-G2-3-UNV	492	6.1	0.9	3'	SIGNIFY GARDCO

Calculation Summary							
Label	CalcType	Units	Avg	Max	Min	Avg/Min	Max/Min
LANDSCAPE	Illuminance	FC	0.59	8.0	0.0	N.A.	N.A.
PARKING	Illuminance	FC	1.04	3.1	0.3	3.47	10.33
LIGHT SPILL	Illuminance	FC	0.02	0.4	0.0	N.A.	N.A.
HANDICAP PARKING	Illuminance	FC	2.45	3.1	1.9	1.29	1.63
WALKWAY NORTH	Illuminance	FC	2.30	8.0	0.2	11.50	40.00

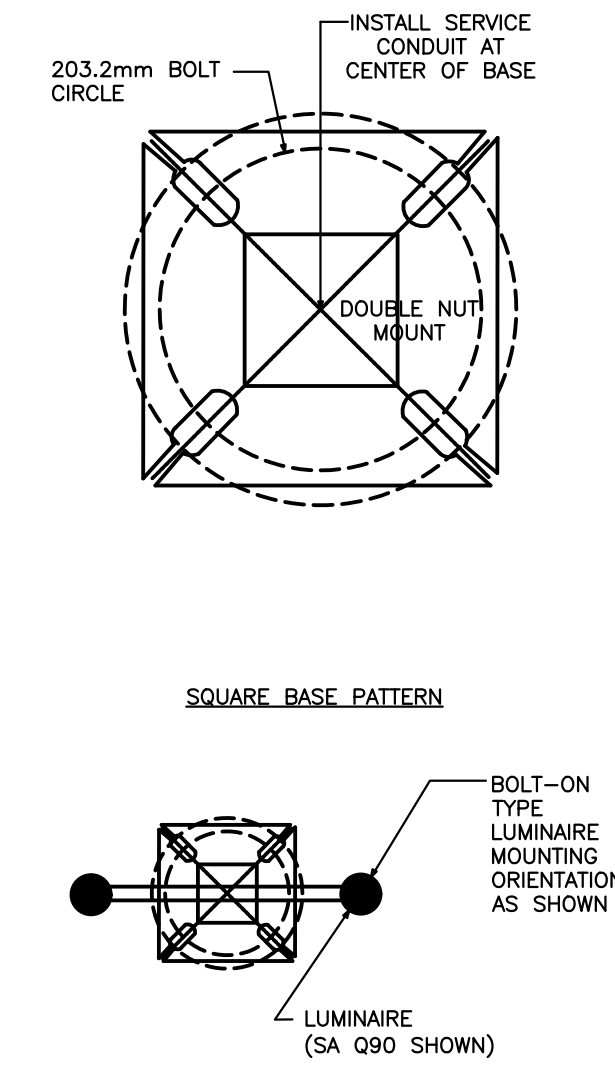
NOTES:

1. PROVIDE ALL WORK ASSOCIATED WITH THIS DETAIL. FINISH TO SUIT ARCHITECT'S REQUIREMENTS. EXACT LOCATION OF POLE MOUNTED LUMINAIRES TO BE COORDINATED WITH ARCHITECTURAL SITE PLAN.
2. REFER TO STRUCTURAL DRAWINGS FOR DETAILS OF BASE. THE BASE SHALL BE PROVIDED BY DIVISION 16 IN ACCORDANCE WITH DETAILS OF DIVISION 3.
3. ELECTRICAL CONTRACTOR TO SIZE CONDUIT/FEEDER TO SUIT. REFER TO SITE PLAN FOR DETAILS.



NOTES:

1. INSTALL BOLTS ACCURATELY CENTERED WITHIN 1/16" OF NOMINAL POSITION FOR PROPER FIT WITH BASE.



1 LUMINAIRE SCHEDULE & STATISTICS

E2.0 SCALE: N.T.S

2 POLE BASE DETAIL

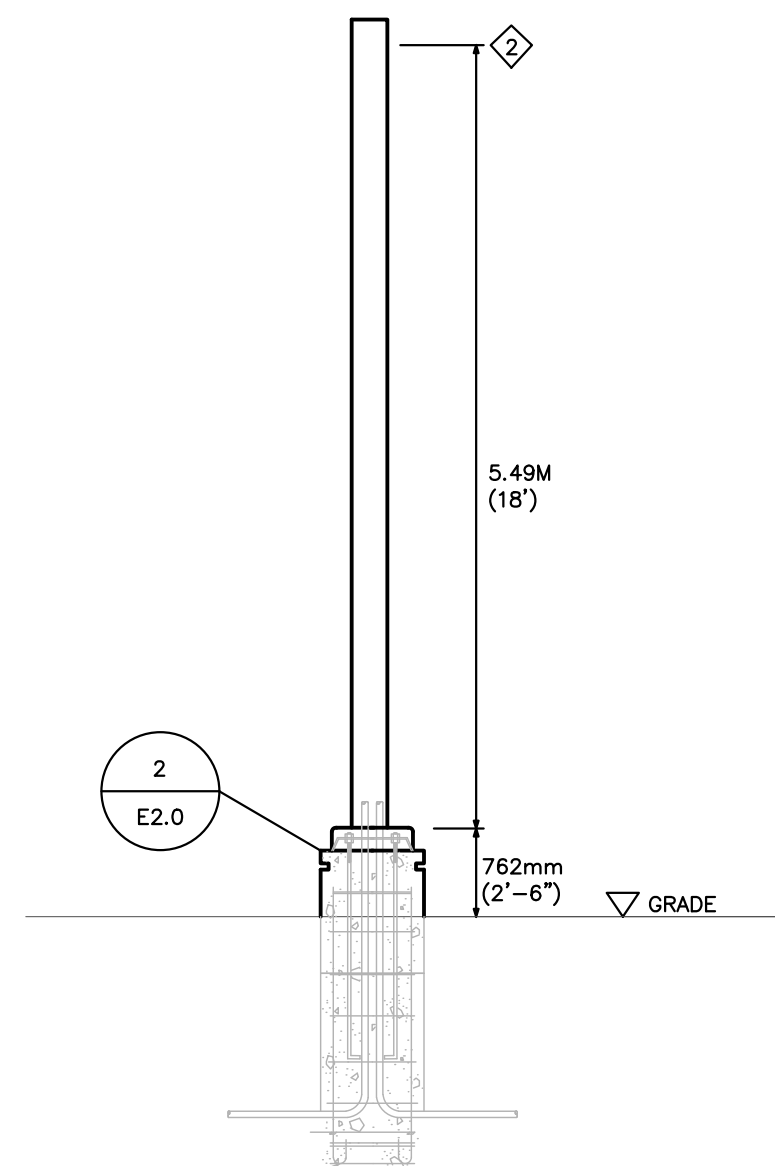
E2.0 SCALE: N.T.S

3 ANCHOR BOLTS DETAIL

E2.0 SCALE: N.T.S

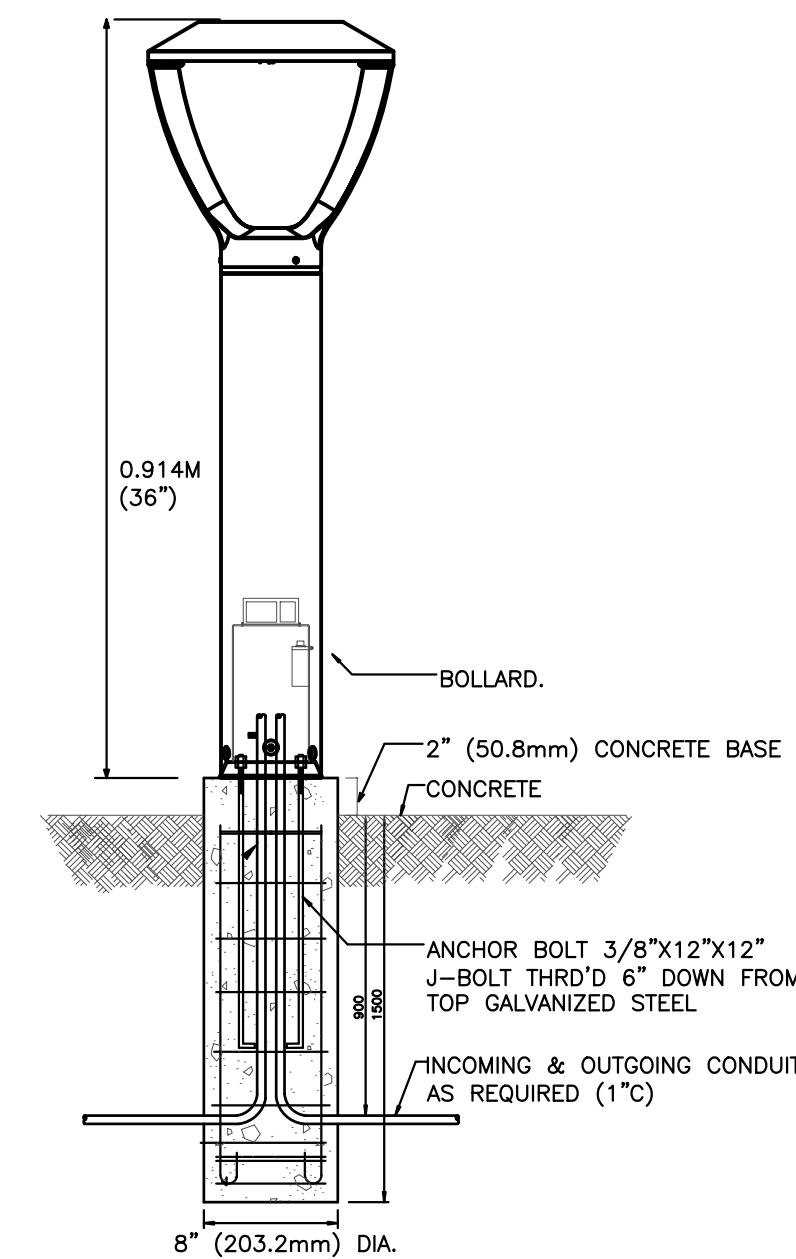
NOTES:

1. PROVIDE 4" (103MM) ROUND POLE TO SUIT. HEIGHT TO CENTER OF LUMINAIRE OPTICS.



4 POLE DETAIL

E2.0 SCALE: N.T.S



5 BOLLARD BASE DETAIL

E2.0 SCALE: N.T.S



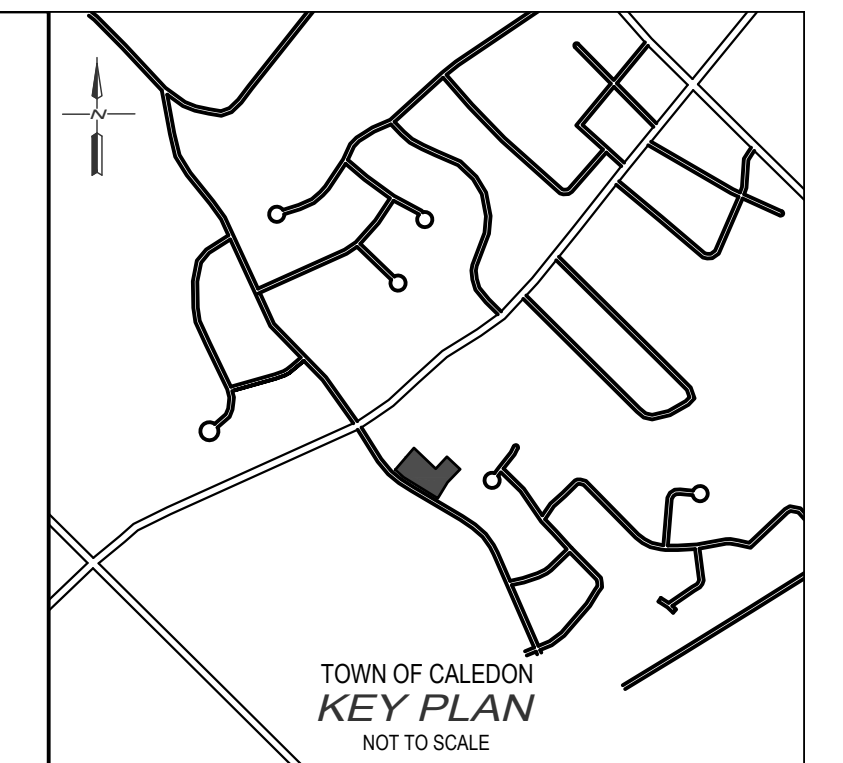
6 LUMINAIRE TYPE LA1/LA2

E2.0 SCALE: N.T.S



7 LUMINAIRE TYPE LB1

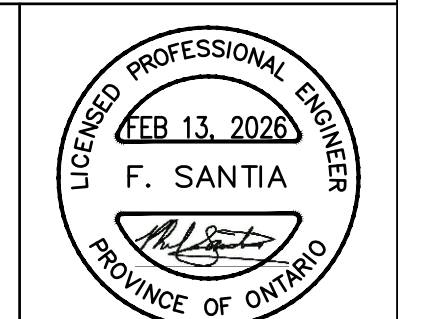
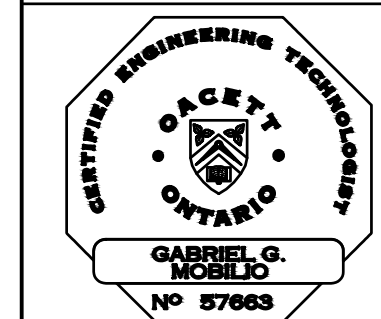
E2.0 SCALE: N.T.S



BENCH MARKS :

THE POSITION OF POLE LINES, CONDUITS, WATERMANS, SEWERS AND OTHER UNDERGROUND AND OVERGROUND UTILITIES AND STRUCTURES IS NOT NECESSARILY SHOWN ON THE CONTRACT DRAWINGS AND, WHERE SHOWN, THE ACCURACY OF THE POSITION OF SUCH UTILITIES AND STRUCTURES IS NOT GUARANTEED.

BEFORE STARTING WORK, THE CONTRACTOR SHALL INFORM HIMSELF OF THE EXACT LOCATION OF ALL SUCH UTILITIES AND STRUCTURES, AND SHALL ASSUME ALL LIABILITY FOR ANY DAMAGE TO THEM.



NO.	DATE	REVISION DESCRIPTION	CHKD
2	13.02.2026	RE-ISSUED FOR SPA	D.D
1	09.02.2024	ISSUED FOR SPA	Y.D

CONSULTING ENGINEERS LIGHTING - ELECTRICAL
 595 CITYVIEW BLVD, SUITE 204/205
 VAUGHAN, ONTARIO, CANADA L4H 3M7
 Tel: (905) 417-8851 Fax: (905) 417-8852
 www.e-lumen.ca

14 STATION ROAD
 KING STATION FACILITY INC.
 TOWN OF CALEDON
 SITE PLAN LIGHTING DETAILS

DRAWN BY:	APPROVED BY:	PROJECT NO.:	DRAWING NO.:
Y.D.	F.C./J.M.	23-141	E2.0
DESIGNED BY:	DATE:	SCALE:	
Y.D.	FEB 2024	N.T.S.	