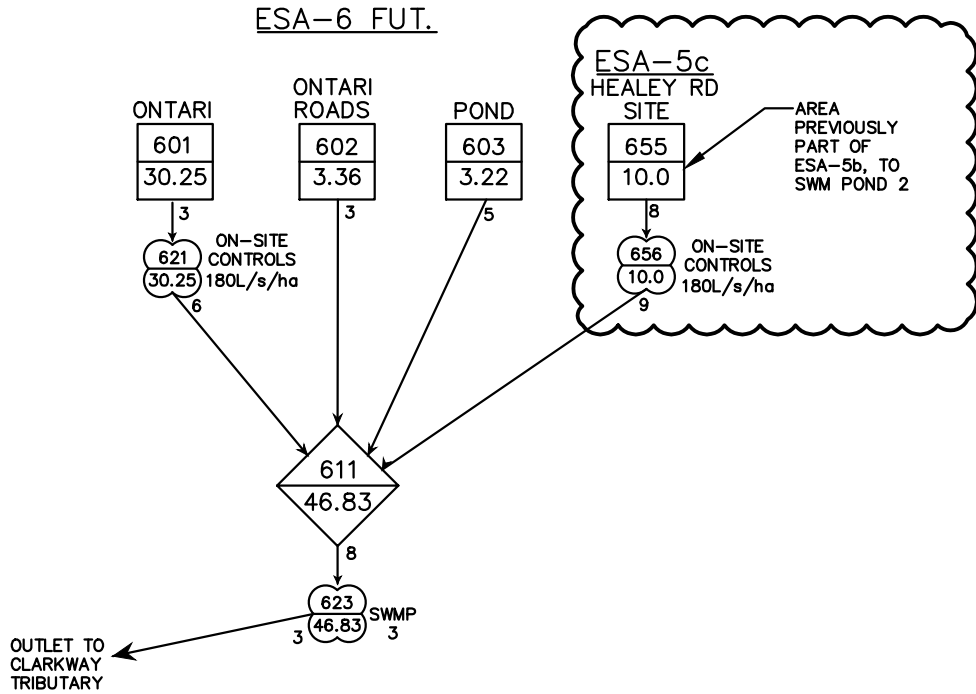


March 10, 2021



LEGEND:

- 5501 ROUTE CHANNEL ID No.
11848 HEC-RAS SECTION No.
- 718 DESIGN STANDHYD CATCHMENT ID No.
1.50 DESIGN STANDHYD AREA IN HECTARES
- 0028 CALIB NASHYD CATCHMENT ID No.
0.02 CALIB NASHYD AREA IN HECTARES
- 0007 CALIB STANDHYD CATCHMENT ID No.
0.17 CALIB STANDHYD AREA IN HECTARES
- 0022 ADD HYD ID No.
5.32 ADD HYD AREA IN HECTARES
- 0011 ROUTE RESERVOIR CATCHMENT ID No.
0.21 ROUTE RESERVOIR AREA IN HECTARES

* NOTE: 2YEAR - 100YEAR MODEL, WITH ON-SITE CONTROLS

FIGURE 3B

POST-DEVELOPMENT WITH CONTROLS
SWMHYMO MODEL SCHEMATIC

PROJECT:
HEALEY RD DEVELOPMENT
ONE PROPERTY
SWM FACILITY 3
ANALYSIS



a.m.candaras associates inc.
consulting engineers
8551 Weston rd., suite 203
Woodbridge ont. L4L 9R4
905-850-8020 Fax 905-850-8099
Email: civil@amcai.com

DATE: JAN 2021

PROJECT No.: 2109