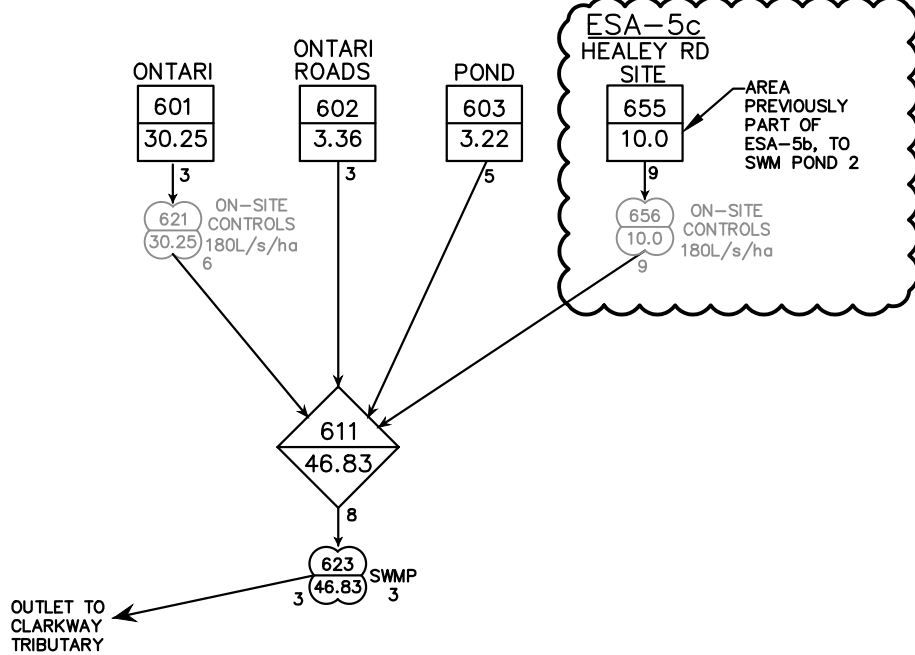


ESA-6 FUT.



LEGEND:

- ROUTE CHANNEL ID No.
HEC-RAS SECTION No.
- DESIGN STANDHYD CATCHMENT ID No.
DESIGN STANDHYD AREA IN HECTARES
- CALIB NASHYD CATCHMENT ID No.
CALIB NASHYD AREA IN HECTARES
- CALIB STANDHYD CATCHMENT ID No.
CALIB STANDHYD AREA IN HECTARES
- ADD HYD ID No.
ADD HYD AREA IN HECTARES
- ROUTE RESERVOIR CATCHMENT ID No.
ROUTE RESERVOIR AREA IN HECTARES

*NOTE: ON-SITE CONTROLS NOT INCLUDED IN REGIONAL MODEL

FIGURE 3A

POST-DEVELOPMENT REGIONAL WITH CONTROL SWMHYMO MODEL SCHEMATIC



a.m.candaras associates inc.
 consulting engineers
 8551 Weston rd., suite 203
 Woodbridge ont. L4L 9R4
 905-850-8020 Fax 905-850-8099
 Email: civil@amcai.com

PROJECT:
 HEALEY RD DEVELOPMENT
 ONE PROPERTY
 SWM FACILITY 3
 ANALYSIS

DATE: FEB 2021

PROJECT No.: 2109